

D Series



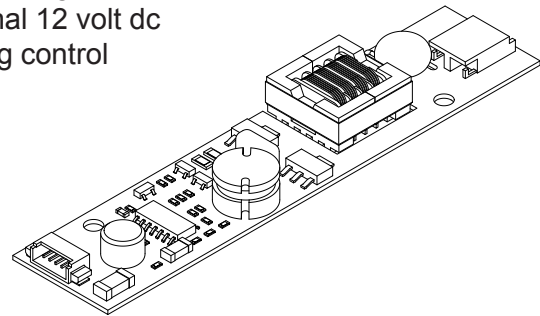
12 Volt Input Dc to Ac Inverter

D128mD60J2

The D128mD60J2 is a generic dc to ac inverter designed to generate 6 mArms into a 350 - 550 volt load (CCFL) from a nominal 12 volt dc source. It can be easily dimmed using an external analog control signal.

FEATURES

- Low Profile
- Display compatible connector
- High efficiency



PHYSICAL SPECIFICATIONS

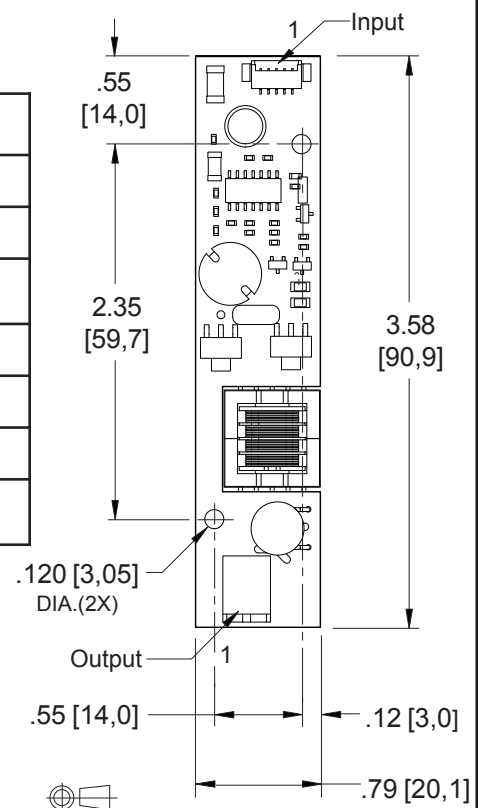
Size:	.79" x 3.58" x .32"
(without input connector)	(20,1mm x 90,9mm x 8mm)
Weight:	15 grams
Component Surface Temperature:	-20° to +80°C
Storage Temperature:	-20° to +85°C
Humidity:	95% RH Max

Characteristics	Value	Units	Note(s)
Input Voltage	10.8 - 13.2	Vdc	
Input Current	0.30 typ	Adc	$R_L = 75 \text{ k}\Omega$
Minimum No Load Output Voltage	1400	Vrms	$V_{in} = 12.00 \text{ Vdc}$
Frequency	42 typ	kHz	$V_{in} = 12.00 \text{ Vdc}$
Output Current	6.0	mArms	$R_L = 75 \text{ k}\Omega$
Efficiency	75	%	Typical

The maximum input current (which indicates an overload condition) is 1.0 Adc maximum

Input Connector: Molex 53261-0571
 Output Connector: JST SM02B-BHSS-1-TB or
 Yeon Ho 35001WR-02A00

Inverters specifically designed to match most popular LCD modules are also available. Contact your authorized distributor or ERG direct.



Pin Designation	
J1-1 +Vin	J2-1 ACout
J1-2 GND	J2-2 ACreturn
J1-3 Enable	
J1-4 Control	
J1-5 N/C	

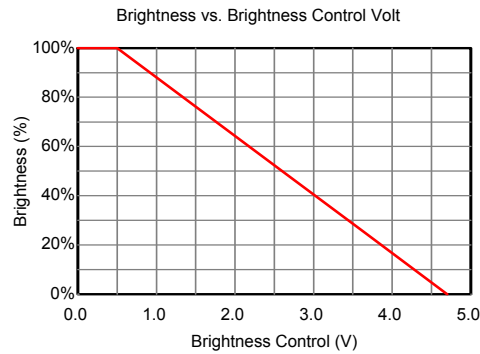
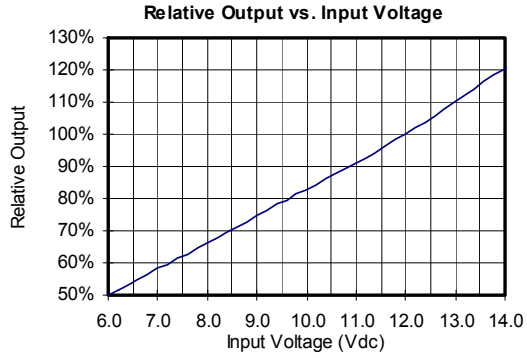
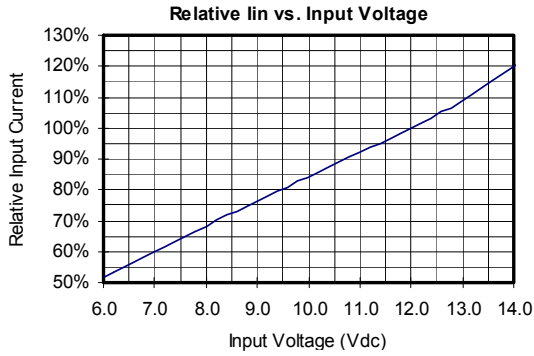
Endicott Research Group, Inc.

2601 Wayne St., Endicott, NY 13760
 607-754-9187 Fax 607-754-9255
<http://www.ergpower.com>

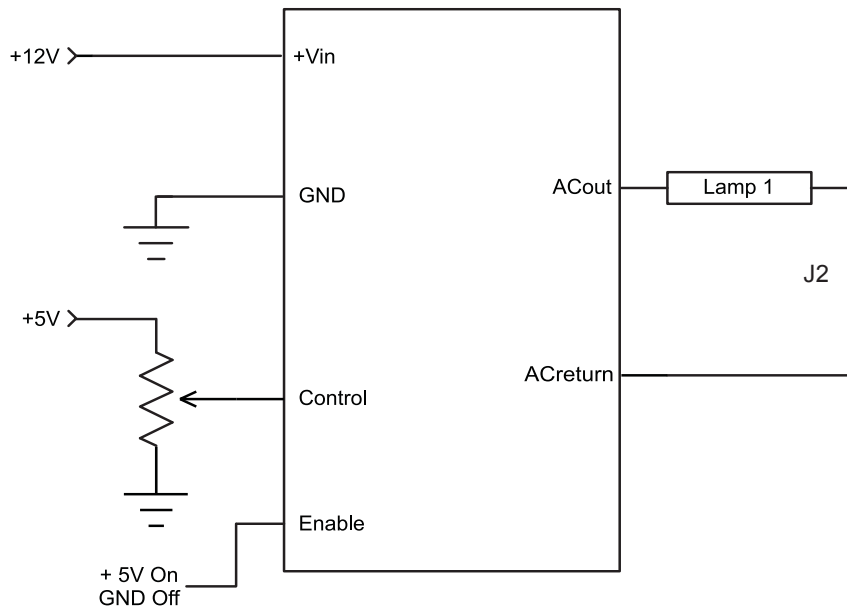
Connection and Application Information

12 Volt Input Dc to Ac Inverter

D128mD60J2



Typical Application



Endicott Research Group, Inc.

2601 Wayne St., Endicott, NY 13760
 607-754-9187 Fax 607-754-9255
<http://www.ergpower.com>

Specifications are subject to change without notice.

12/21/10

