

D Series



12 Volt Input Dc to Ac Inverter

D10mD65JF



The D10mD65JF is a generic dc to ac inverter designed to generate 6.5 mArms into a 750 - 950 volt load (CCFL) from a nominal 12 Vdc source. It can be easily dimmed using an external analog control signal.

FEATURES

- Low Profile
- Display compatible connector
- High efficiency

PHYSICAL SPECIFICATIONS

- Size: .97" x 5.32" x .39"
(24,6mm x 135,1mm x 10mm)
- Weight: 15 grams
- Component Surface Temperature: -20° to +80°C
- Storage Temperature: -20° to +85°C
- Humidity: 95% RH Max

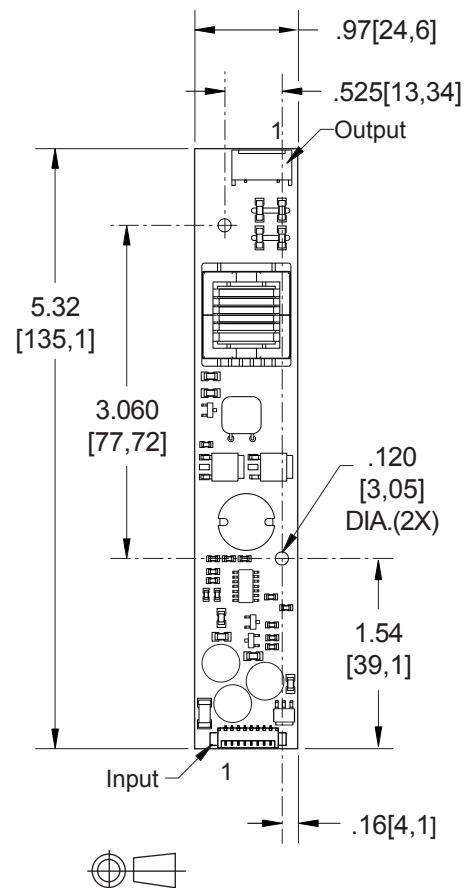
Characteristics	Value	Units	Note(s)
Input Voltage	10.8 - 12.6	Vdc	
Input Current	0.57 typ	Adc	$R_L = 131 \text{ kOhms}$
Minimum No Load Output Voltage	2100	Vrms	$V_{in} = 12.00 \text{ Vdc}$
Frequency	35 typ	kHz	$V_{in} = 12.00 \text{ Vdc}$
Output Current	6.5	mArms	$R_L = 131 \text{ kOhms}$
Efficiency	81	%	Typical
The maximum input current (which indicates an overload condition) is 1.0 Adc maximum			

- Input Connector: Molex 53261-0871
- Output Connector: JST SM02(8.0)B-BHS-1-TB or Yeon Ho 20015WR-05A00

Inverters specifically designed to match most popular LCD modules are also available. Contact your authorized distributor or ERG direct.

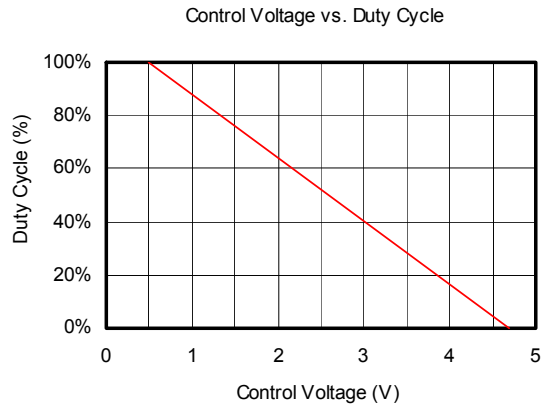
Endicott Research Group, Inc.

2601 Wayne St., Endicott, NY 13760
607-754-9187 Fax 607-754-9255
<http://www.ergpower.com>



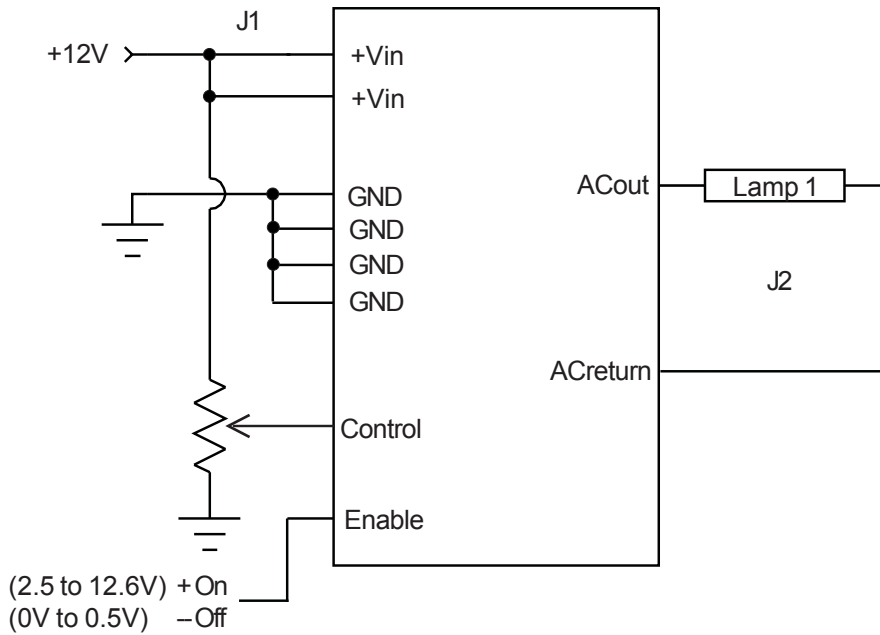
PCB components are shown for reference only. Actual product may differ from that shown.

Pin Designations	
J1-1 +Vin	J2-1 ACout
J1-2 +Vin	J2-2 ACreturn
J1-3 GND	
J1-4 GND	
J1-5 Enable	
J1-6 Control	
J1-7 GND	
J1-8 GND	



Graph 1

Typical Application



Enable (pin J1-5)					
Characteristic	Symbol	Min	Typ	Max	Units
Turn-off Threshold	V_{thoff}	GND	-	0.5	Vdc
Turn-on Threshold	V_{thon}	2.5	-	Vin	Vdc
Impedance to Vin	R_{Enable}	-	10	-	kOhms
PWM					
Characteristic	Symbol	Min	Typ	Max	Units
Frequency	f_{pwm}	-	160	-	Hz
Control Input Bias Current	I_{cbias}	-	-	10	μA

