

D Series



12 Volt Input Dc to Ac Inverter

D10mD55J

The D10mD55J is a generic dc to ac inverter designed to generate 5.5 marms into a 525 - 725 volt load (CCFL) from a nominal 12 volt dc source. It can be easily dimmed using an external analog control signal.

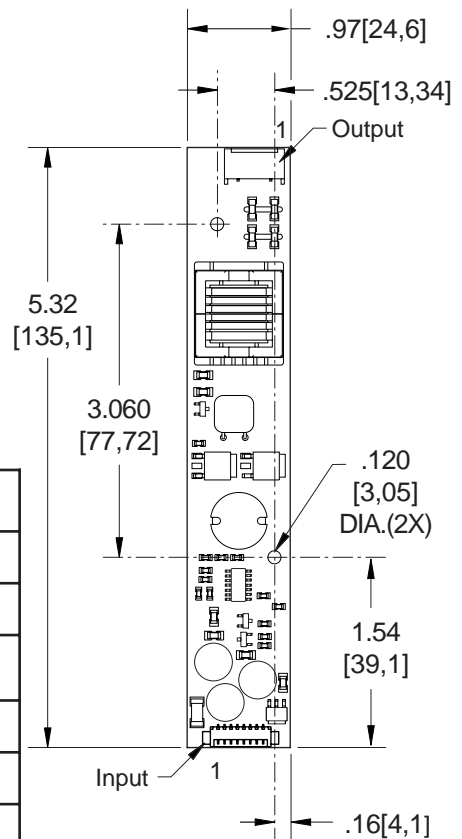
FEATURES

- Low Profile
- Display compatible connector
- High efficiency

PHYSICAL SPECIFICATIONS

- Size: .97" x 5.32" x .39"
 (24,6mm x 135,1mm x 10mm)
- Weight: 15 grams
- Operating Temperature: 0° to +85°C
- Component Surface Temperature: -20° to +80°C
- Humidity: 95% RH Max

Characteristics	Value	Units	Note(s)
Input Voltage	10.8 - 13.2	Volts dc	
Input Current	37 typ	Adc	$R_L = 114 \text{ Kohms}$
Minimum No Load Output Voltage	2200	Vrms	$V_{in} = 12.00 \text{ Vdc}$
Frequency	32typ	Khz	$V_{in} = 12.00 \text{ Vdc}$
Output Current	5.5	marms	$R_L = 114 \text{ Kohms}$
Efficiency	77	%	Typical
The maximum input current (which indicates an overload condition) is 1.0 Adc maximum			



- Input Connector: Molex 53261-0890
- Output Connector: JST SM02(8.0)B-BHS-1-TB or
 Yeon Ho 20015WR-05A00

Inverters specifically designed to match most popular LCD modules are also available. Contact your authorized distributor or ERG direct.

Pin Designation	
J1-1 Vin(+)	J2-1 ACout
J1-2 Vin(+)	J2-2 ACreturn
J1-3 GND	
J1-4 GND	
J1-5 Enable	
J1-6 Control	
J1-7 GND	
J1-8 GND	

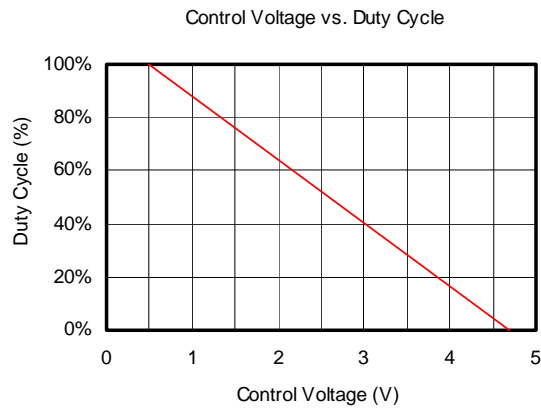
Endicott Research Group, Inc.

2601 Wayne St., Endicott, NY 13760
 607-754-9187 Fax 607-754-9255
<http://www.ergpower.com>

Connection and Application Information

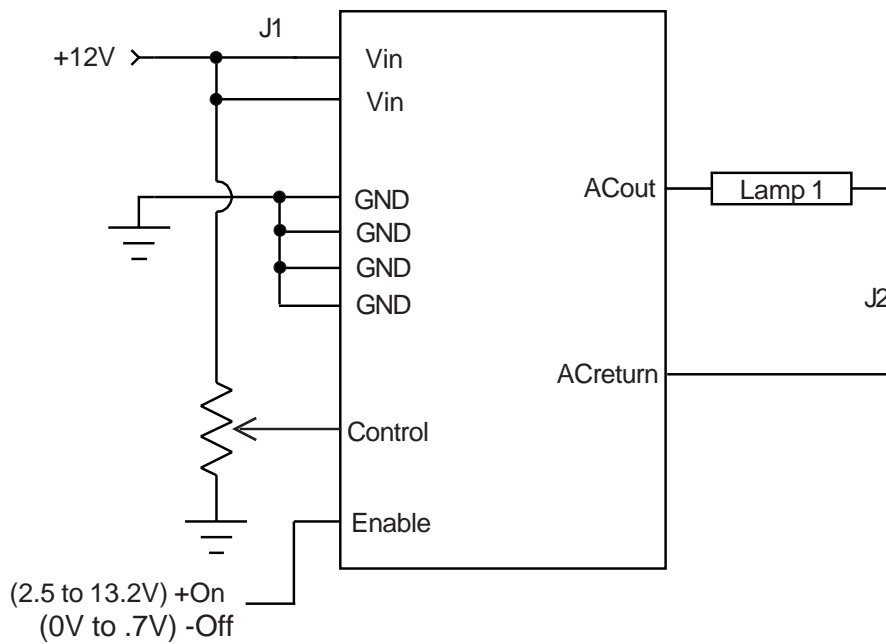
12 Volt Input Dc to Ac Inverter

D10mD55J



Graph 1

Typical Application



Enable (pin J1-5)					
Characteristic	Symbol	Min	Typ	Max	Units
Turn-off Threshold	V_{thoff}	0	-	1	V
Turn-On Threshold	V_{thon}	2.5	-	V_{in}	V
Impedance to Vin	$R_{Disable}$	9.5	10	10.5	kOhms
PWM					
Characteristic	Symbol	Min	Typ	Max	Units
Frequency	f_{pwm}	-	160	-	Hz
Control Input Bias Current	I_{cbias}	-	-	10	μA

