

D Series



5 Volt Input Dc to Ac Inverter

D05K60J

The D05K60J is a generic dc to ac inverter designed to power 2 CCFT loads generating 6 marms into a 400-600 volt load, from a nominal 5 volt dc source.

FEATURES

- Low Profile
- Display compatible connector
- High efficiency

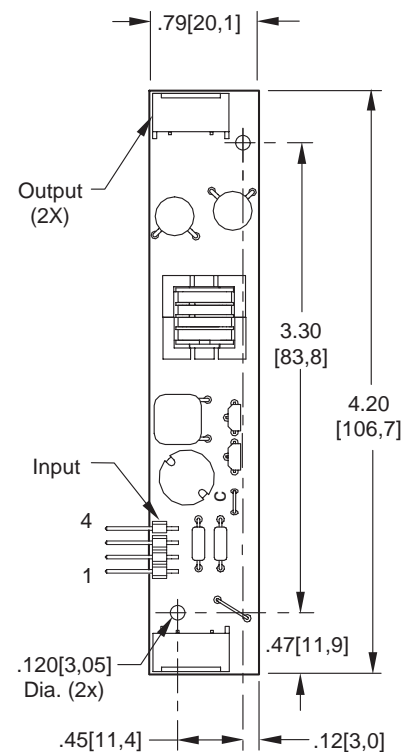
PHYSICAL SPECIFICATIONS

- Size: .79" x 4.20" x .32"
(without input connector) (20,1mm x 106,7mm x 8mm)
- Weight: 30 grams
- Operating Temperature: 0° to +70°C
- Storage Temperature: -20° to +85°C
- Humidity: 95% RH Max



Characteristics	Value	Units	Note(s)
Input Voltage	4.50 - 5.25	Volts dc	
Input Current	1.5 typ	Adc	$R_L = 83 \text{ Kohms}$
Minimum No Load Output Voltage	1500	Vrms	$V_{in} = 5.00 \text{ Vdc}$
Frequency	37 typ	Khz	$V_{in} = 5.00 \text{ Vdc}$
Output Current per CCFT	6.0	marms	$R_L = 83 \text{ Kohms}$
Efficiency	80	%	Typical
The maximum input current (which indicates an overload condition) is 2.0 Adc maximum. Input voltage specification modified for clarity on 5/2004.			

Inverters specifically designed to match most popular LCD modules are also available. Contact your authorized distributor or ERG direct.



Input Connector

4 pins are 0.315" [8,00] Long, 0.025" [0,63] Square and are on 0.100" [2,54] Centers.

Output Connectors

JST
SM02(8.0)B-BHS-1-TB

J1-1 Vin(+)	J2-1 ACout	J3-1 ACout
J1-2 GND	J2-2 NC	J3-2 NC
J1-3 Control *	J2-3 ACout	J3-3 ACout
J1-4 NC		

* Valid when the "C" Jumper is removed

Endicott Research Group, Inc.

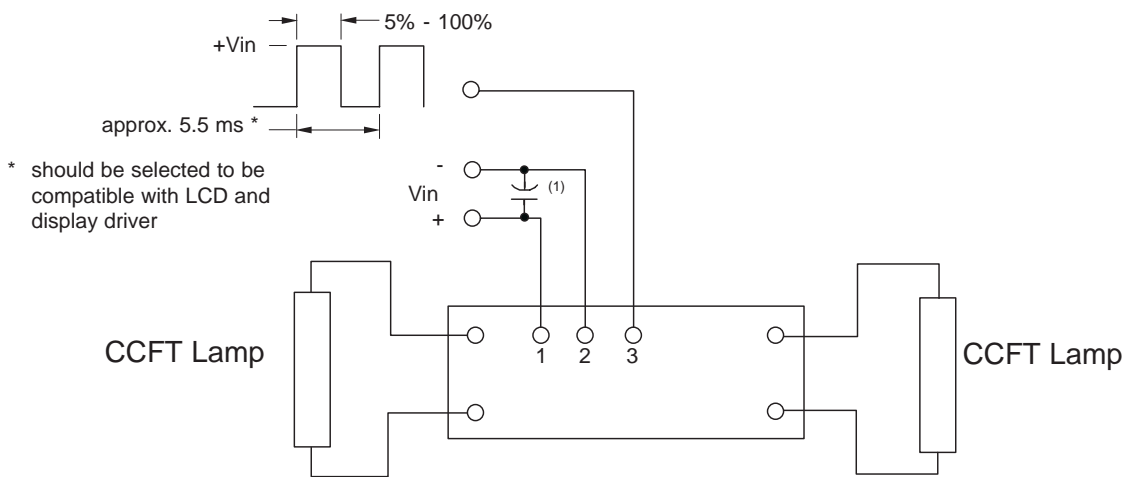
2601 Wayne St., Endicott, NY 13760
607-754-9187 Fax 607-754-9255
<http://www.ergpower.com>

Connection and Application Information

5 Volt Input Dc to Ac Inverter

D05K60J

Dimming Option With "C" jumper removed



Note 1 Input by-pass capacitor (25uf - 100uf) may be required to reduce reflected ripple



Endicott Research Group, Inc.

2601 Wayne St., Endicott, NY 13760
607-754-9187 Fax 607-754-9255
<http://www.ergpower.com>

Specifications are subject to change without notice.

06/30/04

D Series