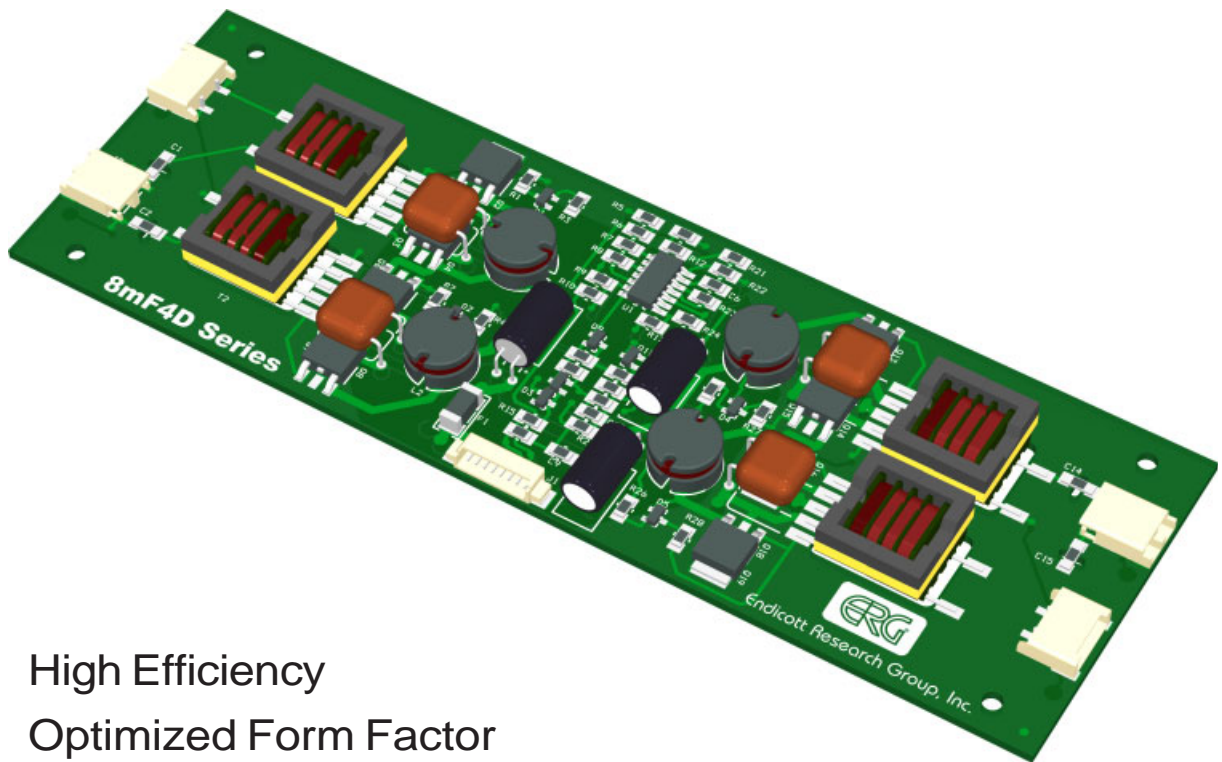


# 8mF4D Series



## 4 Lamp Low Profile Dc to Ac Inverter



- High Efficiency
- Optimized Form Factor
- On Board PWM Dimming
- Direct Display Connection
- Less Than 9 millimeters High
- Flicker-free 0% - 100% Brightness Control
- High Dimming Ratio (Greater than 1000:1)
- Designed, Manufactured and Supported in the USA
- One Year Warranty



Endicott Research Group, Inc.  
2601 Wayne St., Endicott, NY 13760  
607-754-9187 Fax 607-754-9255  
<http://www.ergpower.com>

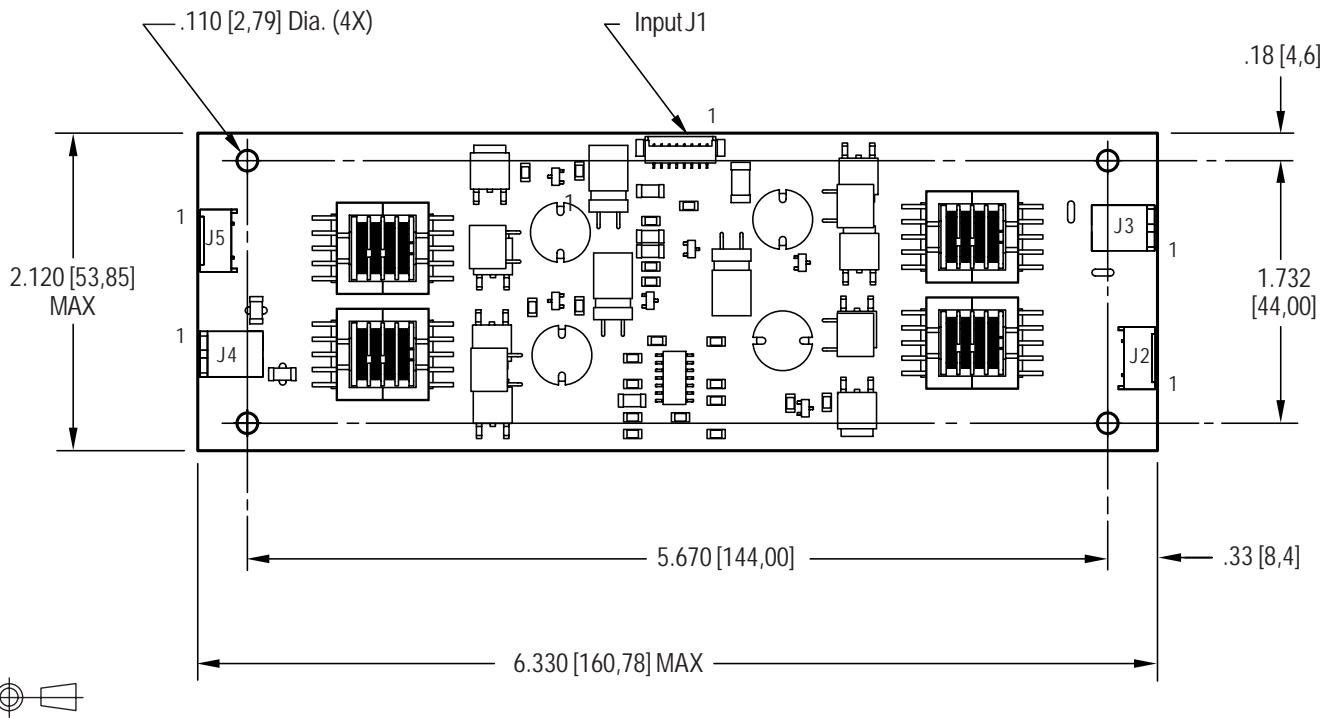
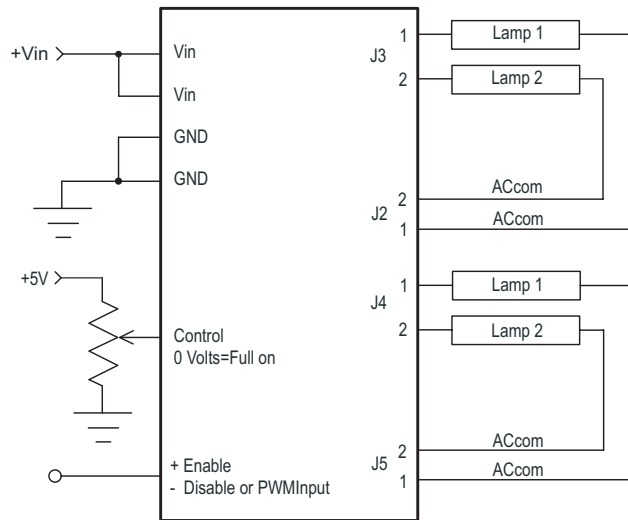


# 8mF4D Series



**Product Configuration**

## Typical Application



\* This product assembly meets IPC-A-610 Class II Standards.

Mass: 65 grams

Specifications Subject to Change Without Notice



**Endicott Research Group, Inc.**

2601 Wayne St., Endicott, NY 13760

607-754-9187 Fax 607-754-9255

<http://www.ergpower.com>