



Endicott Research Group, Inc.

2601 Wayne St., Endicott, NY 13760

607-754-9187 Fax 607-754-9255

http://www.ergpower.com

# 8mAD3407F



## Specifications and Applications Information

06/28/07

Preliminary

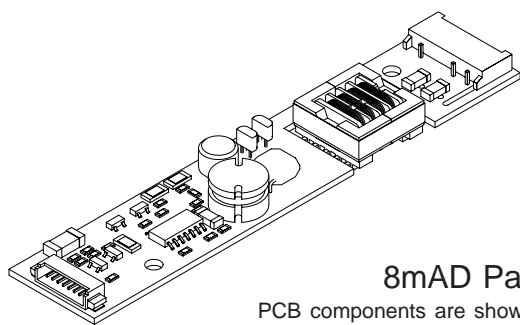
The ERG 8mAD3407F (8m Series) DC to AC inverter features onboard connectors and can be easily dimmed using an external analog control signal or external PWM generator.

Powered by a regulated +12 Volt DC source, the 8mAD3407F is designed to power the NEC NL6448BC26-08D and NL8060BC21-02 display backlights.

### Product Features

- ✓ Small Package Size, less than 9mm in height.
- ✓ High Dimming Ratio
- ✓ High Efficiency
- ✓ Made in U.S.A.

This unit complements our 8m Series of DC to AC Inverters



**8mAD Package**

PCB components are shown for reference only. Actual product may differ from that shown.

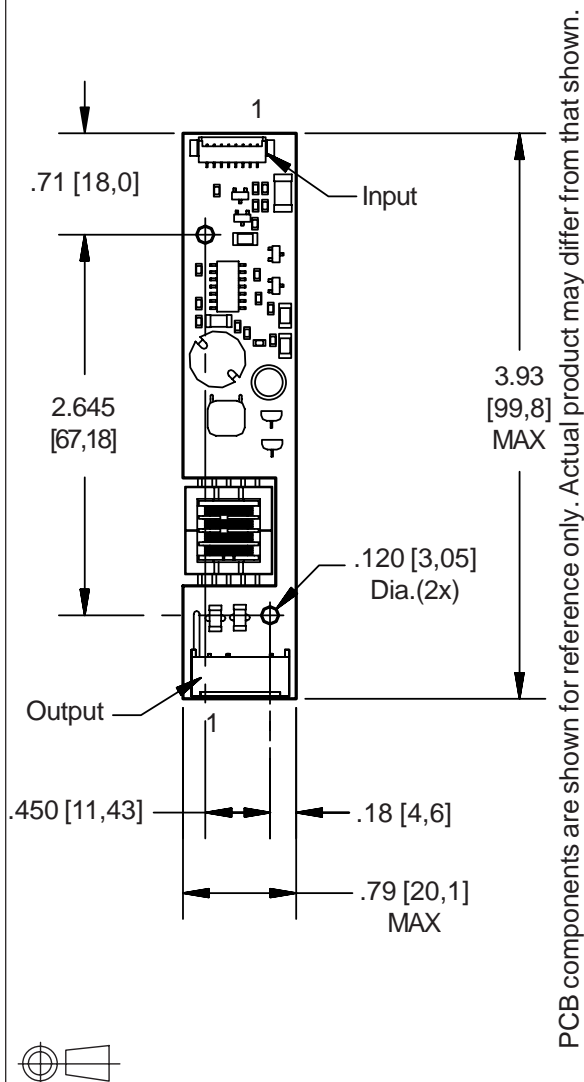
### Connectors

Input J1  
Molex 53261-0871

Output J2  
JST SM04(4.0)B-BHS-1-TB

Two Lamp  
DC to AC Inverter

### Package Configuration



### Pin Descriptions

J1-1 Vin	J2-1 ACout
J1-2 Vin	J2-2 ACout
J1-3 GND	J2-3 N/C
J1-4 GND	J2-4 ACreturn
J1-5 Enable	
J1-6 Control	
J1-7 N/C	
J1-8 GND	



## Absolute Maximum Ratings

Rating	Symbol	Value	Units
Input Voltage Range	$V_{in}$	-0.3 to +13.2	Vdc
Storage Temperature	$T_{stg}$	-40 to +85	°C

## Operating Characteristics

With a load simulating the referenced display and lamp warm-up of 5 minutes.  
Unless otherwise noted  $V_{in} = 12.00$  Volts dc and  $T_a = 25^{\circ}\text{C}$ .

Characteristic	Symbol	Min	Typ	Max	Units
Input Voltage	$V_{in}$	+10.8	+12.0	+12.6	Vdc
Component Surface Temperature (note 2)	$T_s$	-20	-	+80	°C
Input Current (note 1)	$I_{in}$	-	0.48	0.56	Adc
Input Ripple Current	$I_{rip}$	-	20	-	mA <sub>pk-pk</sub>
Operating Frequency	$F_o$	35	40	45	kHz
Minimum Output Voltage (note 3)	$V_{out}$ (min)	1400	-	-	Vrms
Efficiency	<b>h</b>	-	79	-	%
Output Current (per lamp)	$I_{out}$	-	5.2	-	mArms
Output Voltage	$V_{out}$	-	435	-	Vrms
<b>Enable Pin</b> (note 4)					
Turn-off Threshold	$V_{thoff}$	GND	-	0.5	Vdc
Turn-on Threshold	$V_{thon}$	2.0	-	$V_{in}$	Vdc
Impedance to $V_{in}$	$R_{Enable}$	44.6	47.0	49.4	kOhms

Specifications subject to change without notice.

(Note 1) Input current in excess of maximum may indicate a load/inverter mismatch condition, which can result in reduced reliability. Please contact ERG technical support.

(Note 2) Surface temperature must not exceed 80 degrees C; thermal management actions may be required.

(Note 3) Provided data is not tested but guaranteed by design.

(Note 4) The inverter is always enabled with an internal pullup resistor tied to the enable pin. A ground on the enable input will turn the inverter off.

## Application Notes:

- 1) The minimum distance from high voltage areas of the inverter to any conductive material should be .12 inches per kilovolt of starting voltage.
- 2) Mounting hardware to be non-conductive.
- 3) Open framed inverters should not be used in applications at altitudes over 10,000 feet.
- 4) Contact ERG for possible exceptions.



## Onboard PWM

Unless otherwise noted  $V_{in} = 12.00$  Volts DC,  $T_a = 25$  °C and unit has been running for 5 minutes.

Characteristic	Symbol	Min	Typ	Max	Units
Frequency	$f_{pwm}$	-	160	-	Hz
Control Input Bias Current	$I_{cbias}$	-	-	10	$\mu A$

## Pin Descriptions

**Vin** Input voltage to the inverter.

**GND** Inverter ground.

**Control** Analog voltage input to the onboard pulse width modulator. Increasing this voltage increases the off time of the onboard PWM resulting in decreased brightness. The inverter is full on when this voltage is near inverter ground.

**Enable** Inverter Enable. The inverter is always enabled with an internal pullup resistor tied to the enable pin. Pull this pin low to disable inverter operation. The onboard PWM is always utilized.

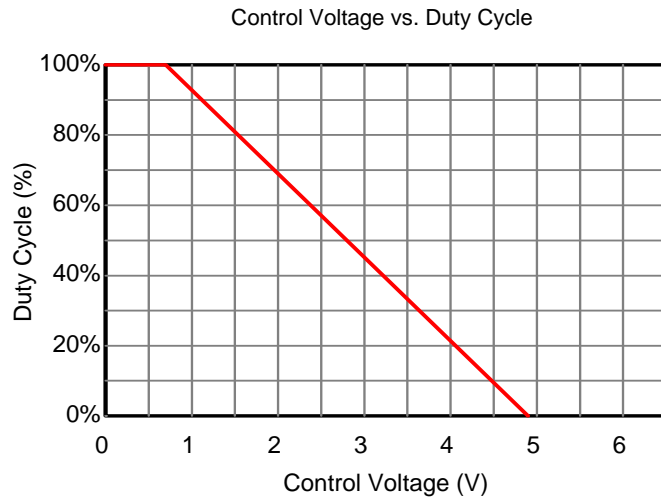
## Application information

The 8mAD series of inverters is designed to power two cold cathode fluorescent lamps each with four watts. An external analog control interfaces with an onboard pulse width modulator to provide dimming control. The 8mAD inverter can reliably dim to less than 5% duty cycle.

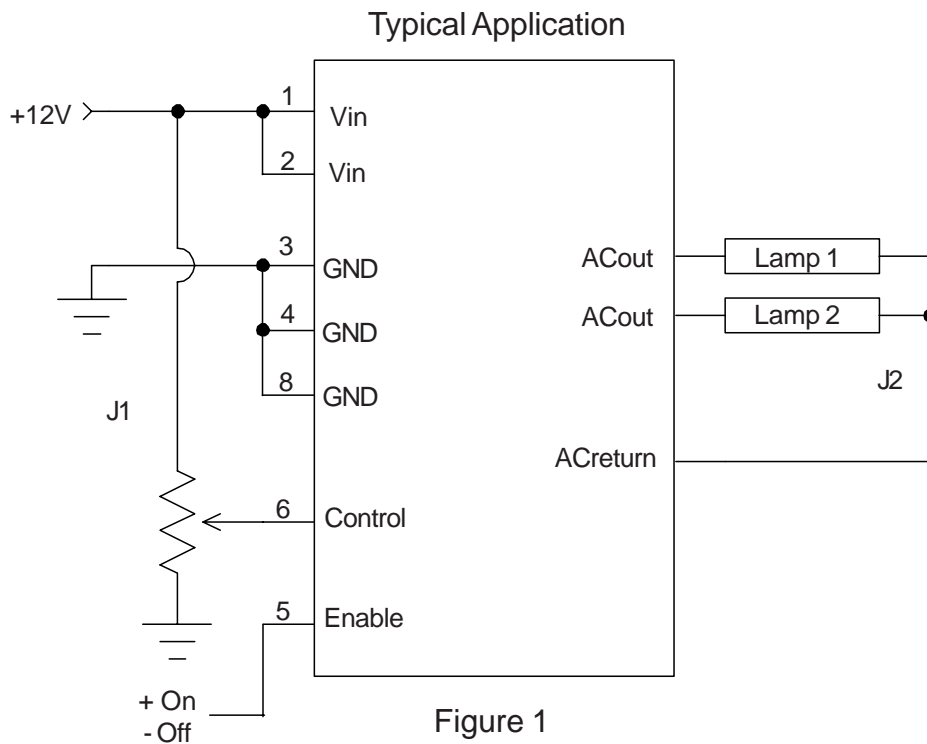
External shutdown of the inverter is accomplished using the Enable pin. Pulling this pin low (below  $V_{thoff}$ ) disables the inverter.

If analog voltage dimming is required, the analog voltage is applied to the Control pin. Figure 1 shows how to connect the inverter for onboard PWM operation. Graph 1 shows the relationship of PWM duty cycle to input control voltage.

If an external PWM is used, simply connect the Enable pin to the PWM source and connect the Control pin to inverter ground. If the onboard PWM is used, connect the analog voltage to the Control pin.



Graph 1



Endicott Research Group, Inc. (ERG) reserves the right to make changes in circuit design and/or specifications at any time without notice. Accordingly, the reader is cautioned to verify that data sheets are current before placing orders. Information furnished by ERG is believed to be accurate and reliable. However, no responsibility is assumed by ERG for its use.