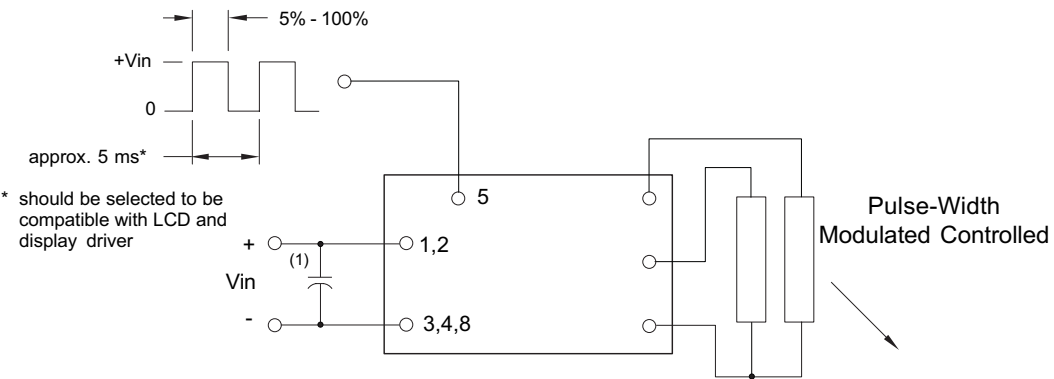


8mA22545

Dimming Option



* should be selected to be compatible with LCD and display driver

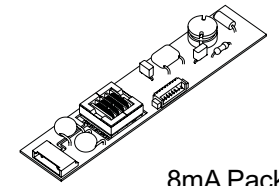
Note 1 Input by-pass capacitor (25 uf - 100uf) may be required to reduce reflected ripple.



Endicott Research Group, Inc.
 2601 Wayne St., Endicott NY 13760
 607-754-9187 Fax 607-754-9255
<http://www.ergpower.com>

8mA22545

8m Class
 DC to AC Inverter



8mA Package

Specifications and Applications Information

03/25/04

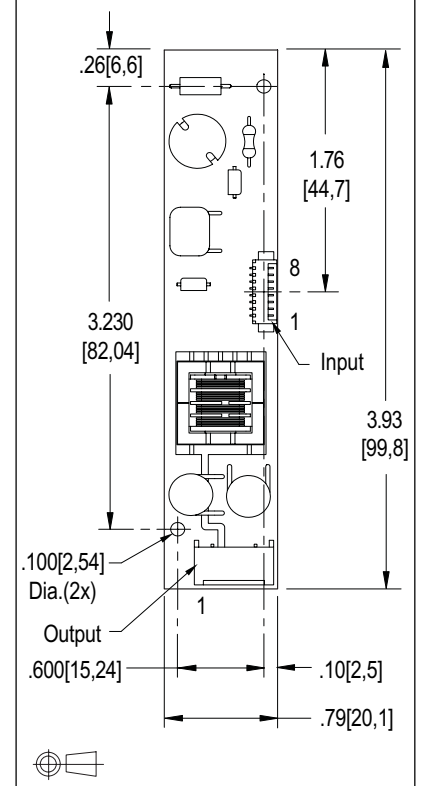
Preliminary

The ERG 8mA22545 (8m Class) low profile dc to ac inverter is specifically designed to power the NEC NL8060BC31-17 LCD display module to a moderate brightness level from a +5 volt dc source.

This low profile inverter features:

- ✓ Less Than 8 mm in Height
- ✓ LCD Module Specific
- ✓ Display Compatible Output Connector
- ✓ Firm Specifications
- ✓ Application Information
- ✓ Designed, Manufactured and Supported in the USA
- ✓ Custom Input and Output Voltages
- ✓ Flexible System Interface
- ✓ Notebook Display Head Compatible

Package Configuration



Pin Descriptions

Input Connector	Output Connector
Molex 53261-0890	JST SM03(4.0)B-BHS-1-TB
Con1-1 Vin(+)	Con2-1 Common
Con1-2 Vin(+)	Con2-2 ACout
Con1-3 GND	Con2-3 ACout
Con1-4 GND	
Con1-5 Control	
Con1-6 N/C	
Con1-7 N/C	
Con1-8 GND	



Endicott Research Group, Inc.
 2601 Wayne St., Endicott NY 13760
 607-754-9187

8mA22545

Absolute Maximum Ratings

Rating	Symbol	Value	Units
Input Voltage Range	V _{in}	-0.3 to +5.5	Vdc
Operating Temperature	T _o	-0 to +70	°C
Storage Temperature	T _{stg}	-40 to +85	°C

Recommended Operating Conditions

Rating	Symbol	Value	Units
Input Voltage	V _{in}	+2.5 to 5.5	Vdc

Electrical Characteristics

Unless otherwise noted V_{in} = 5.00 Volts dc and T_a = 25 °C

Characteristic	Symbol	Min	Typ	Max	Units
Input Current	I _{in}	-	1.5	1.9	Adc
Operating Frequency	F _o	41	46	51	KHz
Minimum Output Voltage	V _{out} (min)	1250	-	-	Vrms
Efficiency	η	-	82	-	%
Output Current per tube	I _{out}	-	5.1	-	marms
Output Voltage (When powering a Load simulating the referenced display.)	V _{out}	-	600	-	Vrms
Pin5 Input Current Requirement	-	-	15	-	madc

After tube has been allowed to warm-up for 5 minutes
External Disable Circuit shown on page 3.

Specifications subject to change without notice.



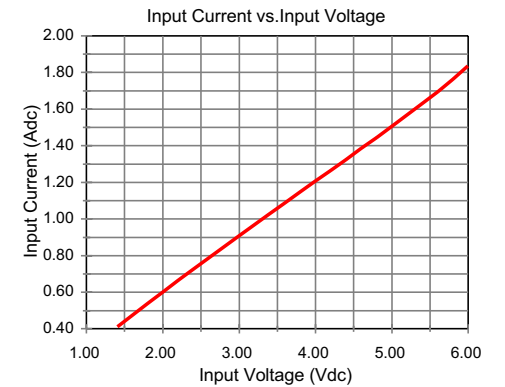
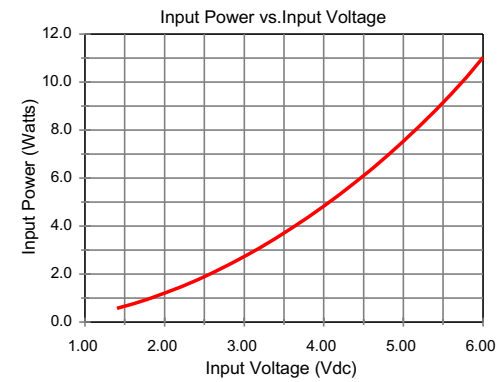
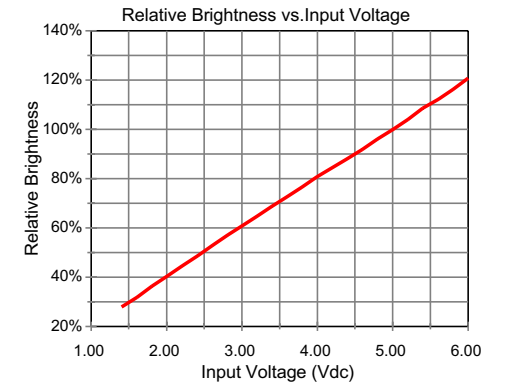
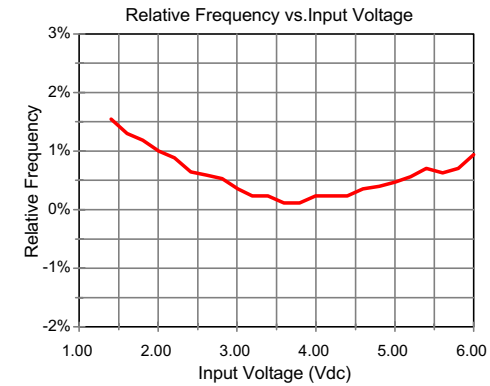
Endicott Research Group, Inc.

Made in USA

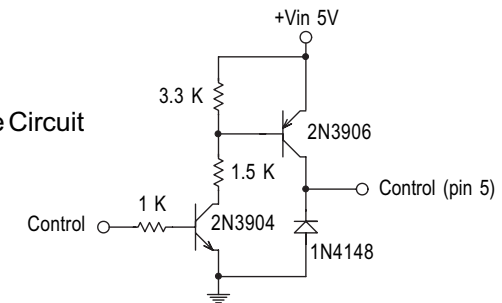
page 2.

Typical Performance Curves

8mA22545



Disable Circuit



Endicott Research Group, Inc.

page 3.