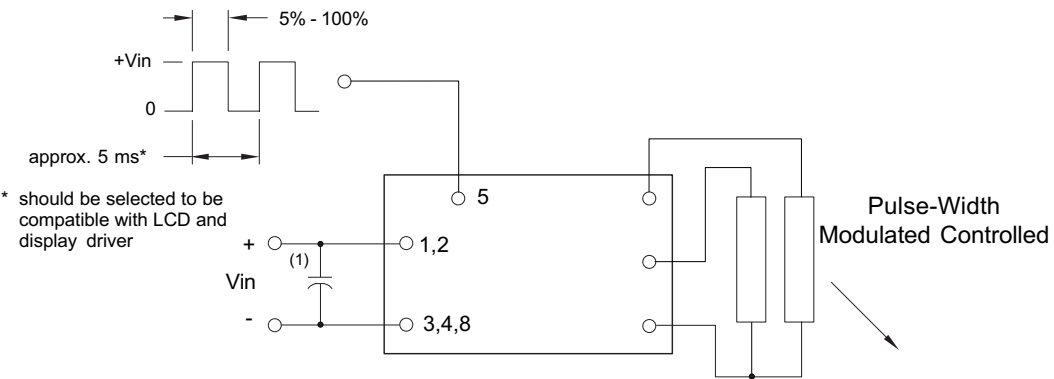


8mA22437

### Dimming Option

(Valid with the "C" jumper removed)



\* should be selected to be compatible with LCD and display driver

Note 1 Input by-pass capacitor (25 uf - 100uf) may be required to reduce reflected ripple.



**Endicott Research Group, Inc.**

2601 Wayne St., Endicott NY 13760  
607-754-9187 Fax 607-754-9255

<http://www.ergpower.com>

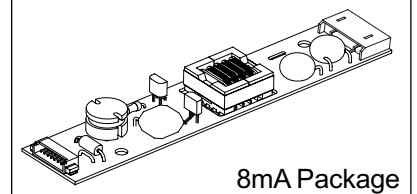
8mA22437

8m Class  
DC to AC Inverter

## Specifications and Applications Information

11/14/00

Preliminary



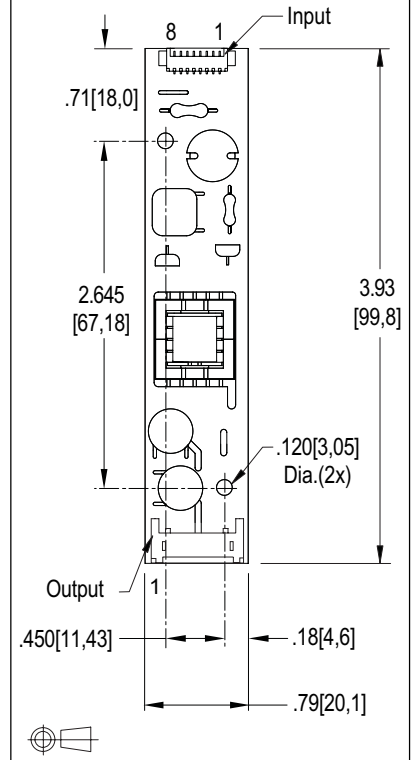
8mA Package

The ERG 8mA22437 (8m Class) low profile dc to ac inverter is specifically designed to power the Mitsubishi AA121SK12 LCD display module to a moderate brightness level from a +12 volt dc source.

This low profile inverter features:

- ✓ Less Than 8 mm in Height
- ✓ LCD Module Specific
- ✓ Display Compatible Output Connector
- ✓ Firm Specifications
- ✓ Application Information
- ✓ Designed, Manufactured and Supported in the USA
- ✓ Custom Input and Output Voltages
- ✓ Flexible System Interface
- ✓ Notebook Display Head Compatible

### Package Configuration



### Pin Descriptions

Input Connector	Output Connector
Molex 53261-0890	JST SM04(4.0)B-BHS-1-TB
Con1-1 Vin(+)	Con2-1 ACout
Con1-2 Vin(+)	Con2-2 ACout
Con1-3 GND	Con2-3 Common
Con1-4 GND	Con2-4 Common
Con1-5 Control	
Con1-6 NC	
Con1-7 NC	
Con1-8 GND	



**Endicott Research Group, Inc.**

2601 Wayne St., Endicott NY 13760  
607-754-9187

# 8mA22437

## Absolute Maximum Ratings

Rating	Symbol	Value	Units
Input Voltage Range	V <sub>in</sub>	-0.3 to +13.2	Vdc
Operating Temperature	T <sub>o</sub>	0 to +70	°C
Storage Temperature	T <sub>stg</sub>	-40 to +85	°C

## Recommended Operating Conditions

Rating	Symbol	Value	Units
Input Voltage	V <sub>in</sub>	+6 to 13.2	Vdc

## Electrical Characteristics

Unless otherwise noted V<sub>in</sub> = 12.00 Volts dc and T<sub>a</sub> = 25 °C

Characteristic	Symbol	Min	Typ	Max	Units
Input Current	I <sub>in</sub>	-	.60	.69	Adc
Operating Frequency	F <sub>o</sub>	39	44	49	KHz
Minimum Output Voltage	V <sub>out</sub> (min)	1200	-	-	Vrms
Efficiency	η	-	83	-	%
Output Current per tube	I <sub>out</sub>	-	5	-	marms
Output Voltage (When powering a Load simulating the referenced display.)	V <sub>out</sub>	-	600	-	Vrms
Pin5 Input Current Requirement	-	-	7	-	madc

After tube has been allowed to warm-up for 5 minutes  
External Disable Circuit shown on page 3.

Specifications subject to change without notice.

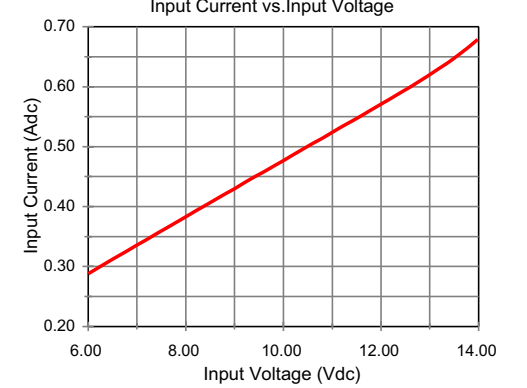
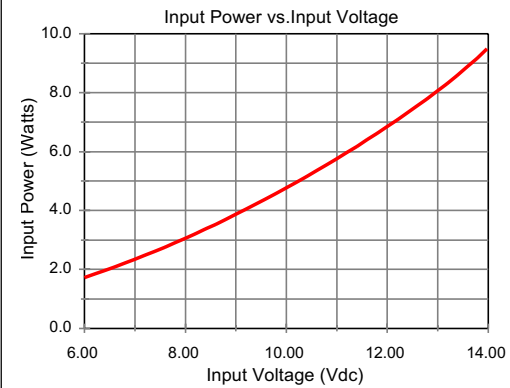
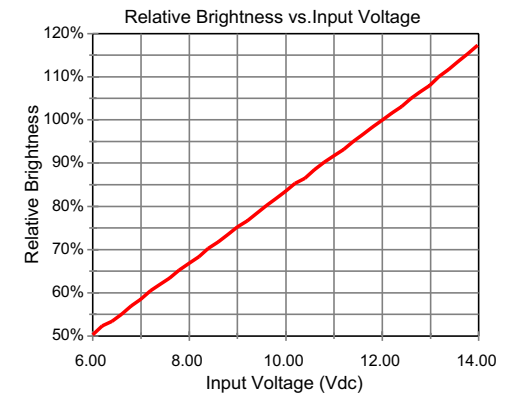
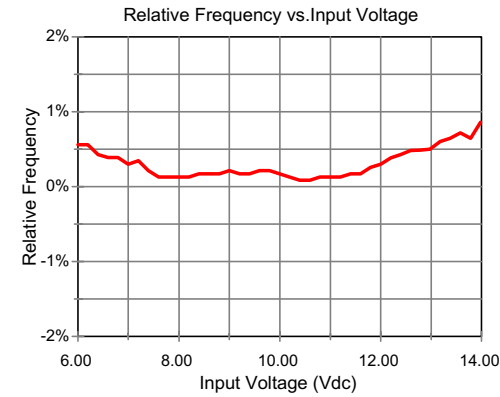


Endicott Research Group, Inc.

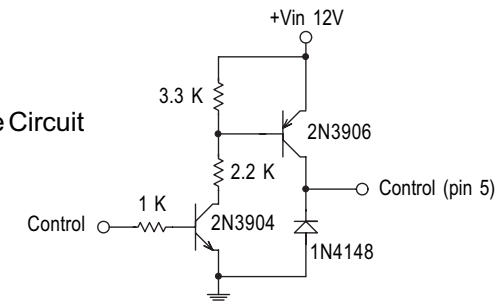
Made in USA

## Typical Performance Curves

# 8mA22437



## Disable Circuit



Valid with the "C" jumper removed



Endicott Research Group, Inc.