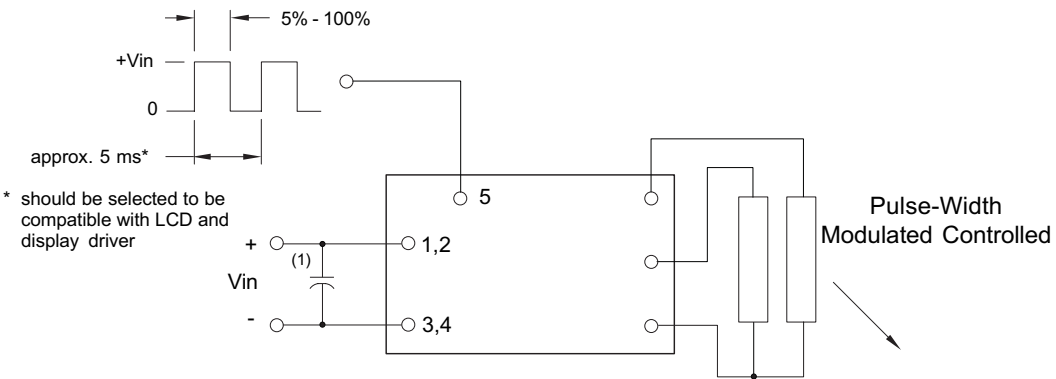


8mA22418

**Dimming Option**  
(Valid with the "C" jumper removed)



\* should be selected to be compatible with LCD and display driver

Note 1 Input by-pass capacitor (25 uf - 100uf) may be required to reduce reflected ripple.



**Endicott Research Group, Inc.**  
2601 Wayne St., Endicott NY 13760  
607-754-9187



**Endicott Research Group, Inc.**

2601 Wayne St., Endicott NY 13760  
607-754-9187 Fax 607-754-9255  
<http://www.ergpower.com>

**Specifications and Applications Information**

12/1/00

Preliminary

The ERG 8mA22418 (8m Class) low profile dc to ac inverter is specifically designed to power the Hitachi TX31D30VC1CAA LCD display module to a moderate brightness level from a +12 volt dc source.

This low profile inverter features:

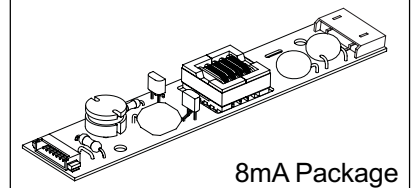
- ✓ Less Than 8 mm in Height
- ✓ LCD Module Specific
- ✓ Display Compatible Output Connector
- ✓ Firm Specifications
- ✓ Application Information
- ✓ Designed, Manufactured and Supported in the USA
- ✓ Custom Input and Output Voltages
- ✓ Flexible System Interface
- ✓ Notebook Display Head Compatible

**Pin Descriptions**

<u>Input Connector</u>		<u>Output Connector</u>	
Molex 53261-0890		JST SM04(4.0)B-BHS-1-TB	
Con1-1	Vin(+)	Con2-1	ACout
Con1-2	Vin(+)	Con2-2	ACout
Con1-3	GND	Con2-3	ACcommon
Con1-4	GND	Con2-4	ACcommon
Con1-5	Control		
Con1-6	NC		
Con1-7	NC		
Con1-8	NC		

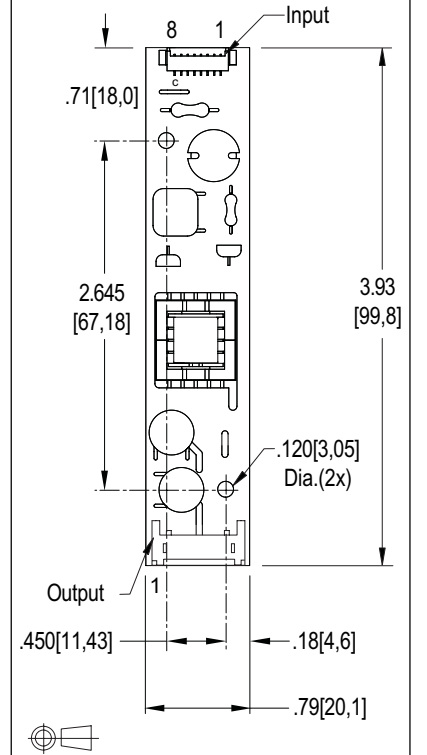
8mA22418

8m Class  
DC to AC Inverter



8mA Package

**Package Configuration**



# 8mA22418

## Absolute Maximum Ratings

Rating	Symbol	Value	Units
Input Voltage Range	Vin	-0.3 to +13.2	Vdc
Operating Temperature	To	-0 to +70	°C
Storage Temperature	Tstg	-40 to +85	°C

## Recommended Operating Conditions

Rating	Symbol	Value	Units
Input Voltage	Vin	+6 to 13.2	Vdc

## Electrical Characteristics

Unless otherwise noted Vin = 12.00 Volts dc and Ta = 25 °C

Characteristic	Symbol	Min	Typ	Max	Units
Input Current	Iin	-	.73	.82	Adc
Operating Frequency	Fo	36	41	46	KHz
Minimum Output Voltage	Vout (min)	1500	-	-	Vrms
Efficiency	$\eta$	-	85	-	%
Output Current per tube	Iout	-	6.2	-	marms
Output Voltage (When powering a Load simulating the referenced display.)	Vout	-	600	-	Vrms
Pin5 Input Current Requirement	-	-	8	-	madc

After tube has been allowed to warm-up for 5 minutes  
External Disable Circuit shown on page 3.

Specifications subject to change without notice.



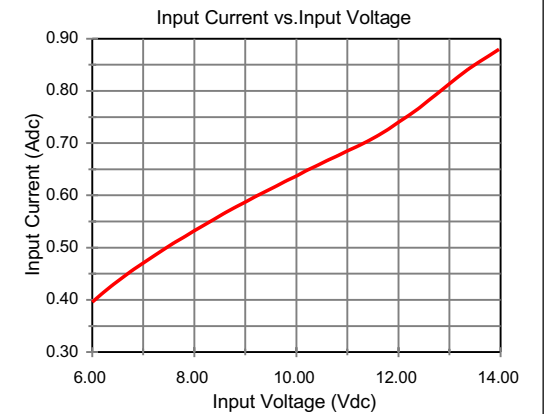
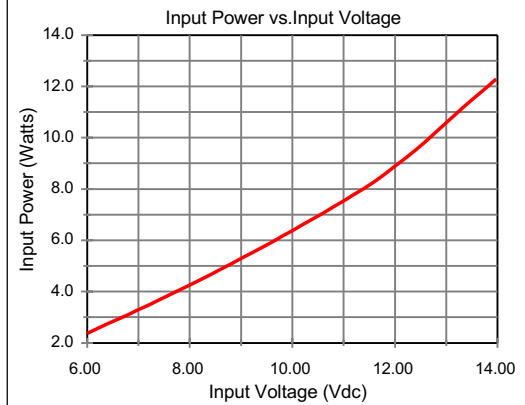
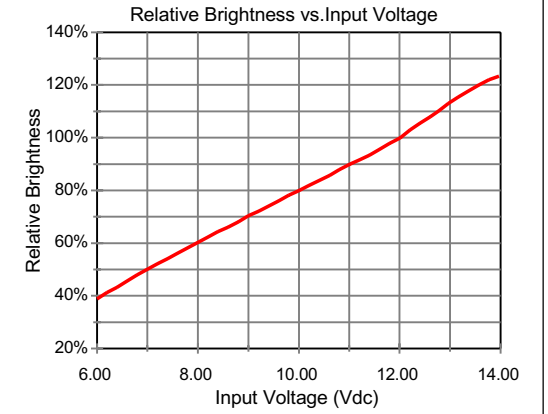
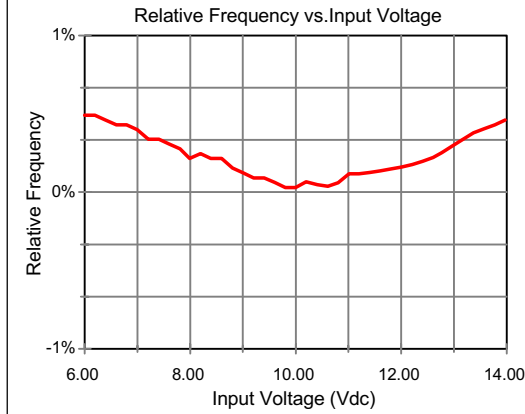
Endicott Research Group, Inc.

Made in USA

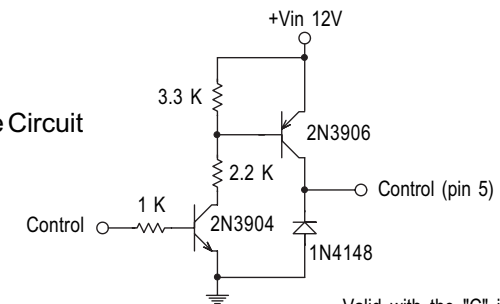
page 2.

## Typical Performance Curves

# 8mA22418



## Disable Circuit



Valid with the "C" jumper removed



Endicott Research Group, Inc.

page 3.