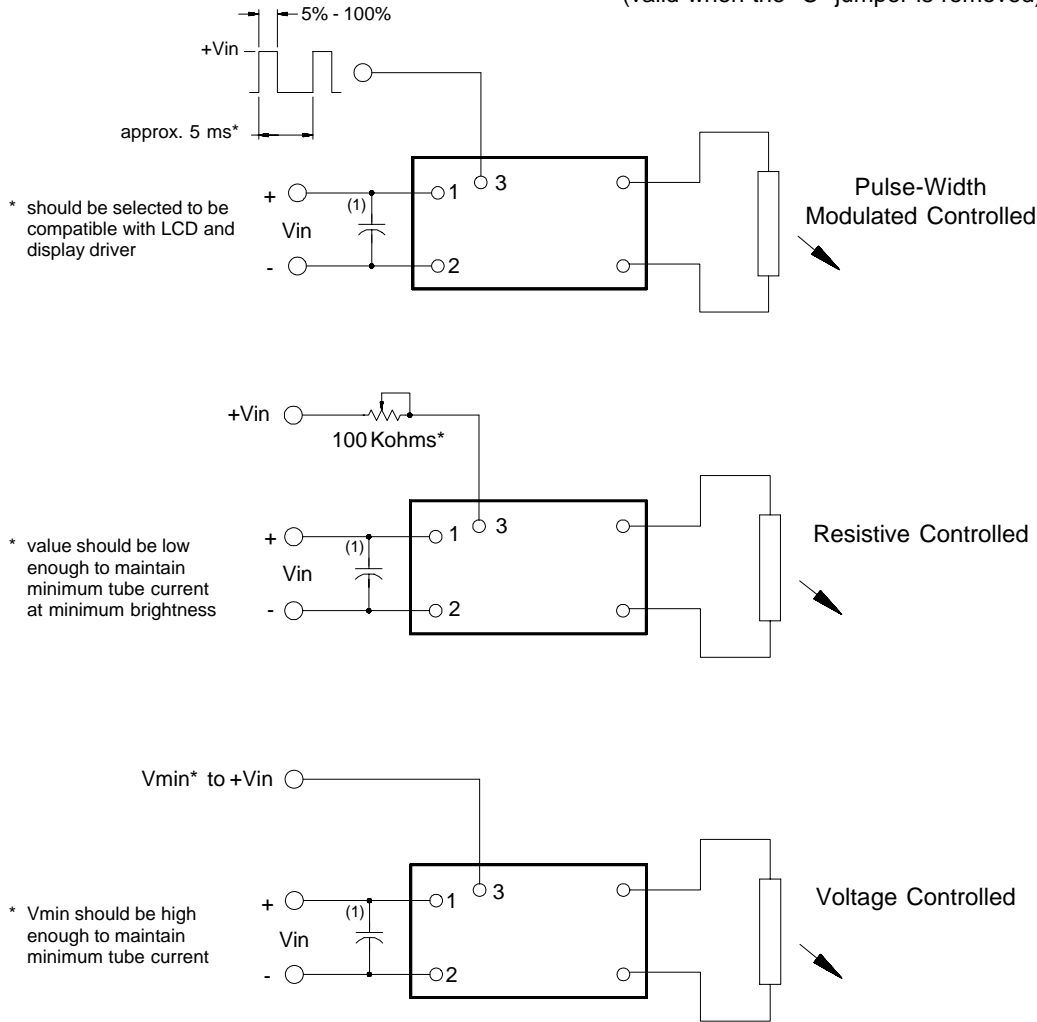


# 8m122520

## 3 Dimming Options (valid when the "C" jumper is removed)



Note 1 Input by-pass capacitor (25 uf - 100uf) may be required to reduce reflected ripple.



**Endicott Research Group, Inc.**  
2601 Wayne St., Endicott NY 13760  
607-754-9187



# Endicott Research Group, Inc.

2601 Wayne St., Endicott NY 13760  
607-754-9187 Fax 607-754-9255  
<http://www.ergpower.com>

## Specifications and Applications Information

6/14/01

Preliminary

The ERG 8m122520 (8m Class) low profile dc to ac inverter is specifically designed to power the EDT LCD display module to a moderate brightness level from a +12 volt dc source.

This low profile inverter features:

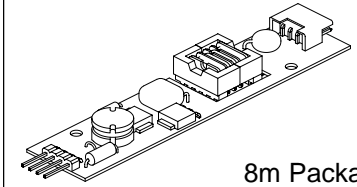
- ✓ Less Than 8 mm in Height
- ✓ LCD Module Specific
- ✓ Display Compatible Output Connector
- ✓ Firm Specifications
- ✓ Application Information
- ✓ Designed, Manufactured and Supported in the USA
- ✓ Custom Input and Output Voltages
- ✓ Flexible System Interface
- ✓ Notebook Display Head Compatible

### Pin Descriptions

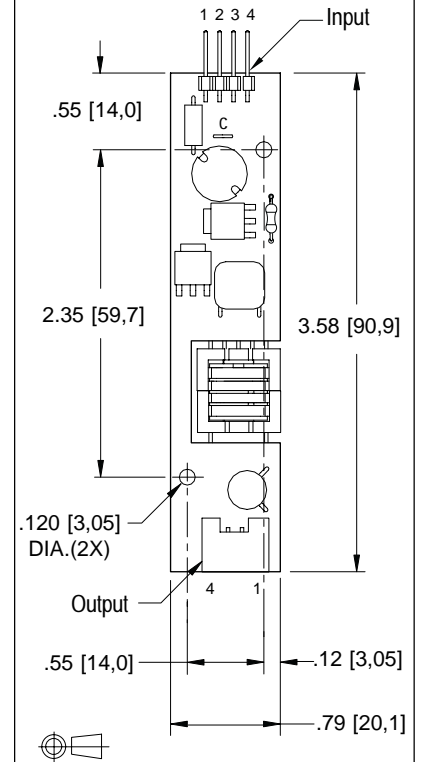
Input Connector	Output Connector
4 pins are 0.315" [8,00] Long, 0.025" [0,63] Square and are on 0.100" [2,54] Centers.	JAE IL-G-4P-S3L2-E
Con1-1 Vin(+) Con1-2 GND Con1-3 Control * Con1-4 N/C	Con2-1 ACout Con2-2 N/C Con2-3 N/C Con2-4 ACout
* Valid when the "C" Jumper is removed	

# 8m122520

## 8m Class DC to AC Inverter



### Package Configuration



# 8m122520

## Absolute Maximum Ratings

Rating	Symbol	Value	Units
Input Voltage Range	Vin	-0.3 to +13.2	Vdc
Operating Temperature	To	0 to +70	°C
Storage Temperature	Tstg	-40 to +85	°C

## Recommended Operating Conditions

Rating	Symbol	Value	Units
Input Voltage	Vin	+6 to 13.2	Vdc

## Electrical Characteristics

Unless otherwise noted Vin = 12.00 Volts dc and Ta = 25 °C

Characteristic	Symbol	Min	Typ	Max	Units
Input Current	lin	-	.17	.20	Adc
Operating Frequency	Fo	34	39	44	KHz
Minimum Output Voltage	Vout (min)	1000	-	-	Vrms
Efficiency	$\eta$	-	74	-	%
Output Current	Iout	-	5	-	marms
Output Voltage (when Powering a load simulating the referenced display)	Vout	-	300	-	Vrms
Pin3 Input Current Requirement	-	-	5	-	madc

After tube has been allowed to warm-up for 5 minutes  
External Disable Circuit shown on page 3.

Specifications subject to change without notice.

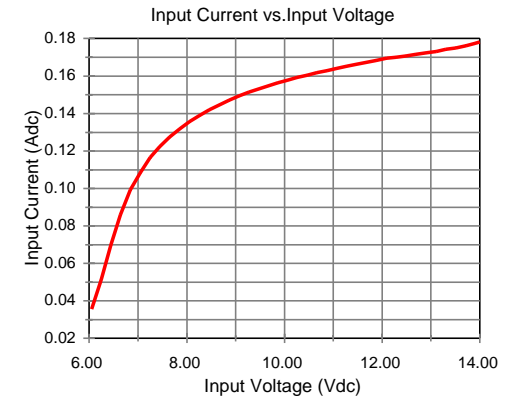
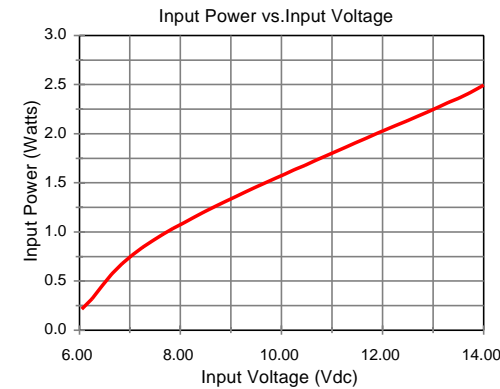
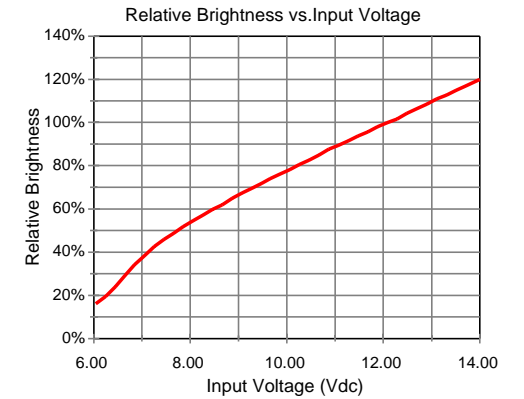
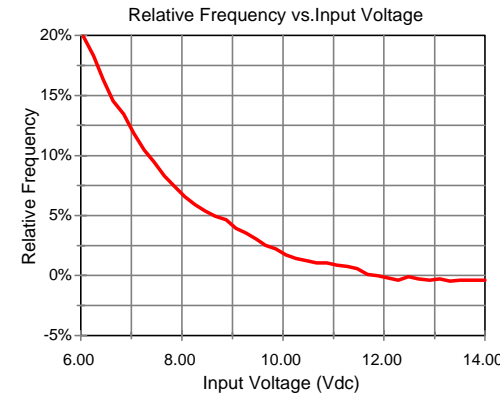


Endicott Research Group, Inc.

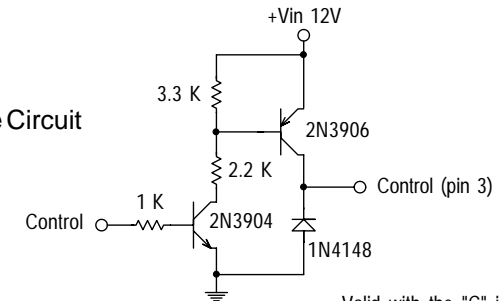
Made in USA

## Typical Performance Curves

# 8m122520



### Disable Circuit



Valid with the "C" jumper removed



Endicott Research Group, Inc.