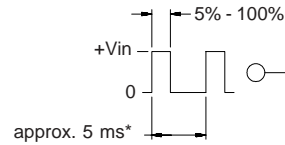
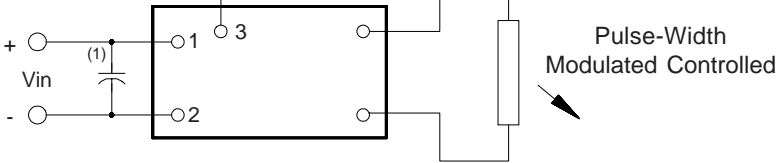


8m122509

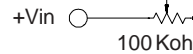
3 Dimming Options



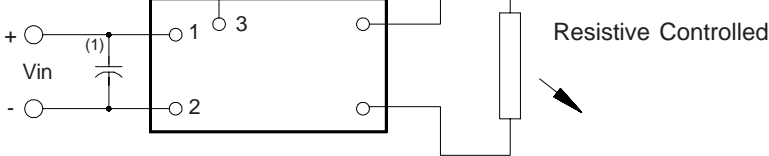
* should be selected to be compatible with LCD and display driver



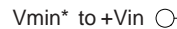
Pulse-Width Modulated Controlled



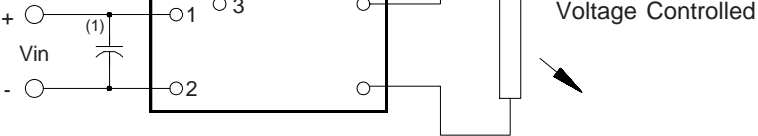
* value should be low enough to maintain minimum tube current at minimum brightness



Resistive Controlled



* Vmin should be high enough to maintain minimum tube current



Voltage Controlled

Note 1 Input by-pass capacitor (25 uf - 100uf) may be required to reduce reflected ripple.



Endicott Research Group, Inc.

2601 Wayne St., Endicott NY 13760

607-754-9187



Endicott Research Group, Inc.

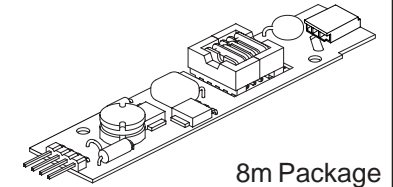
2601 Wayne St., Endicott NY 13760

607-754-9187 Fax 607-754-9255

<http://www.ergpower.com>

8m122509

8m Class
DC to AC Inverter



8m Package

Specifications and Applications Information

8/7/01

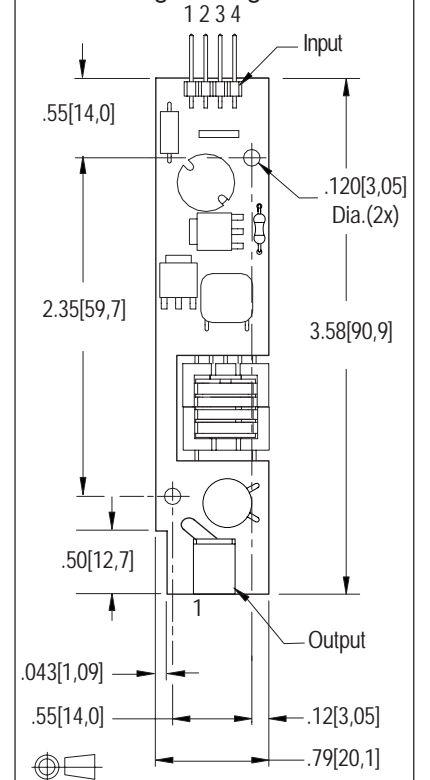
Preliminary

The ERG 8m122509 (**8m Class**) low profile dc to ac inverter is specifically designed to power the Unipac UB084S01 LCD display module to a moderate brightness level from a +12 volt dc source.

This low profile inverter features:

- ✓ Less Than 8 mm in Height
- ✓ LCD Module Specific
- ✓ Display Compatible Output Connector
- ✓ Firm Specifications
- ✓ Application Information
- ✓ Designed, Manufactured and Supported in the USA
- ✓ Custom Input and Output Voltages
- ✓ Flexible System Interface
- ✓ Notebook Display Head Compatible

Package Configuration



Pin Descriptions

Input Connector	Output Connector
4 pins are 0.315" [8,00] Long, 0.025" [0,63] Square and are on 0.100" [2,54] Centers.	JST SM02B-BHSS-1-TB
Con1-1 Vin(+) Con1-2 GND Con1-3 Control Con1-4 N/C	Con2-1 ACout Con2-2 ACout

8m122509

Absolute Maximum Ratings

Rating	Symbol	Value	Units
Input Voltage Range	V _{in}	-0.3 to +13.2	Vdc
Operating Temperature	T _o	-0 to +70	°C
Storage Temperature	T _{stg}	-40 to +85	°C

Recommended Operating Conditions

Rating	Symbol	Value	Units
Input Voltage	V _{in}	+6 to 13.2	Vdc

Electrical Characteristics

Unless otherwise noted V_{in} = 12.00 Volts dc and T_a = 25 °C

Characteristic	Symbol	Min	Typ	Max	Units
Input Current	I _{in}	-	.23	.26	A _{dc}
Operating Frequency	F _o	38	43	48	KHz
Minimum Output Voltage	V _{out} (min)	1000	-	-	V _{rms}
Efficiency	η	-	82	-	%
Output Current	I _{out}	-	4.6	-	ma _{rms}
Output Voltage (When powering a Load simulating the referenced display.)	V _{out}	-	490	-	V _{rms}
Pin3 Input Current Requirement	-	-	7	-	ma _{dc}

After tube has been allowed to warm-up for 5 minutes
External Disable Circuit shown on page 3.

Specifications subject to change without notice.



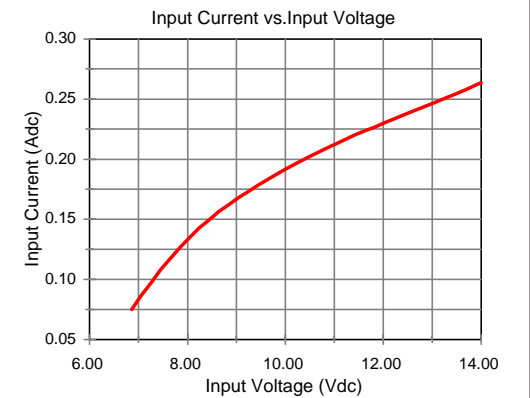
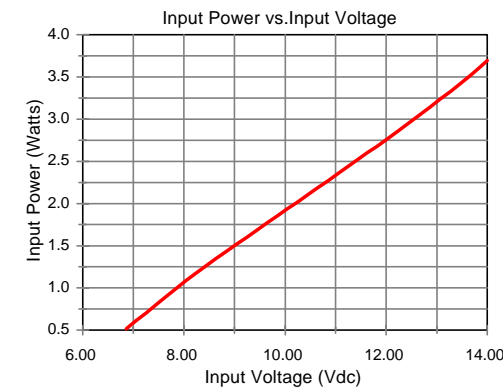
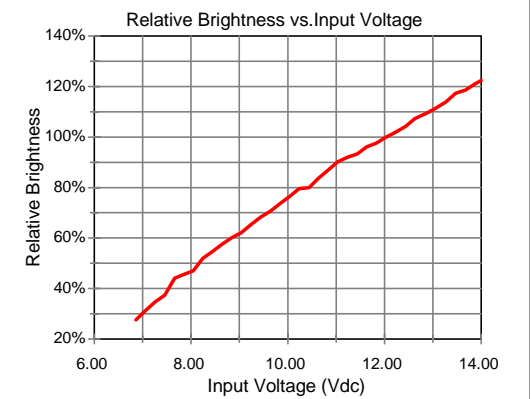
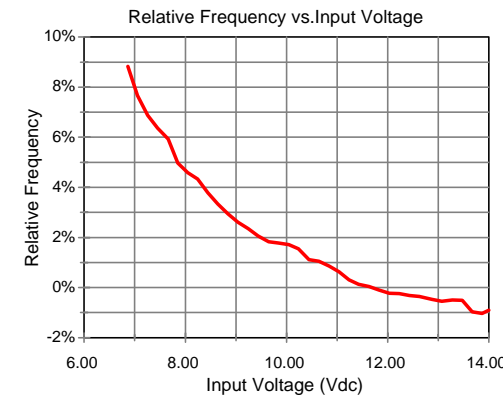
Endicott Research Group, Inc.

Made in USA

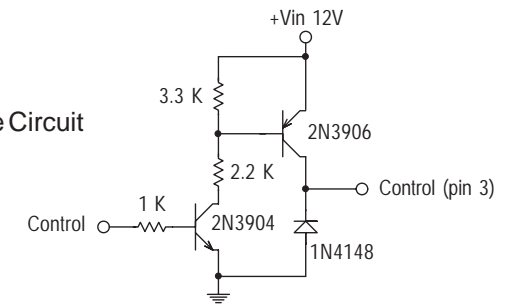
page 2.

Typical Performance Curves

8m122509



Disable Circuit



Endicott Research Group, Inc.

page 3.