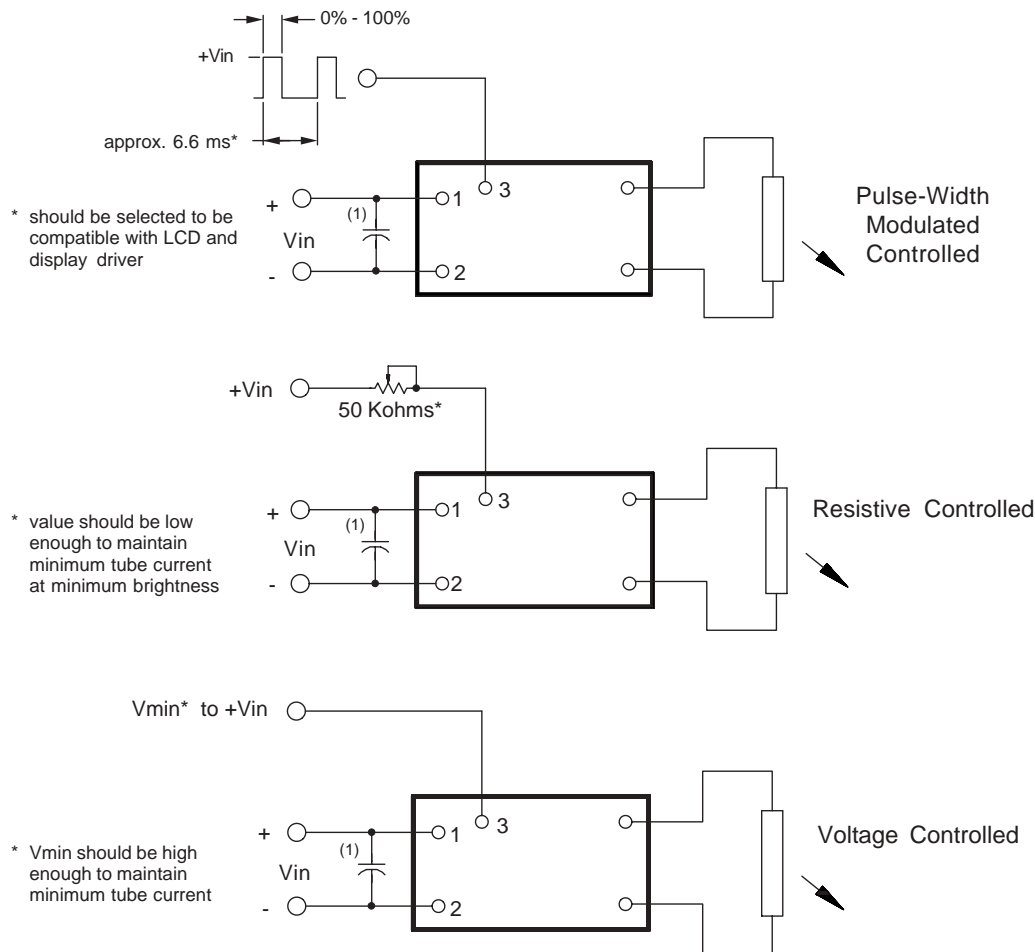


8m122484

3 Dimming Options (valid when the "C" jumper is removed)



Note 1 Input by-pass capacitor (25 uf - 100uf) may be required to reduce reflected ripple.



Endicott Research Group, Inc.

2601 Wayne St., Endicott NY 13760
607-754-9187



Endicott Research Group, Inc.

2601 Wayne St., Endicott NY 13760
607-754-9187 Fax 607-754-9255

<http://www.ergpower.com>

Specifications and Applications Information

08/22/01

Preliminary

The ERG 8m122484 (**8m Class**) low profile dc to ac inverter is specifically designed to power the Samsung LTN104S2-L01 LCD display module to a moderate brightness level from a +12 volt dc source.

This low profile inverter features:

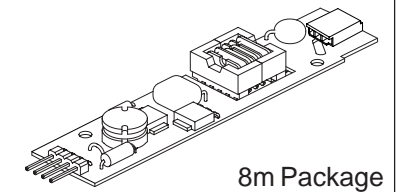
- ✓ Less Than 8 mm in Height
- ✓ LCD Module Specific
- ✓ Display Compatible Output Connector
- ✓ Firm Specifications
- ✓ Application Information
- ✓ Made in U.S.A.
- ✓ Factory Support
- ✓ Custom Input and Output Voltages
- ✓ Flexible System Interface
- ✓ Notebook Display Head Compatible

Pin Descriptions

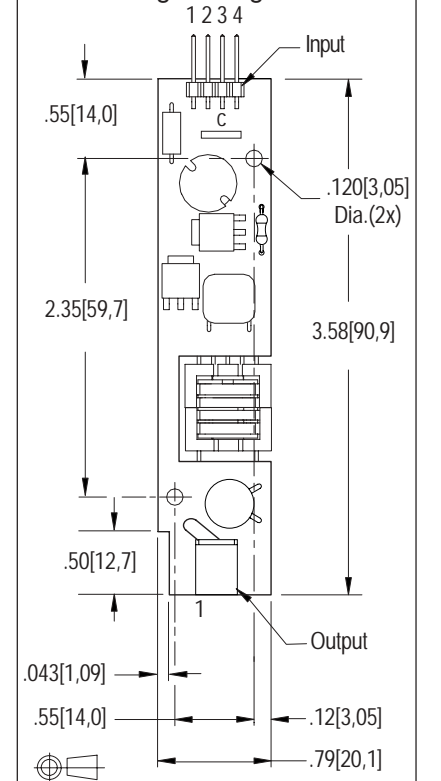
Input Connector	Output Connector
4 pins are 0.315" [8,00] Long, 0.025" [0,63] Square and are on 0.100" [2,54] Centers.	JST SM02B-BHSS-1-TB
Con1-1 Vin(+) Con1-2 GND Con1-3 Control * Con1-4 N/C	Con2-1 ACout Con2-2 ACout
* Valid when the "C" Jumper is removed	

8m122484

8m Class DC to AC Inverter



Package Configuration



Absolute Maximum Ratings

Rating	Symbol	Value	Units
Input Voltage Range	Vin	-0.3 to +15	Vdc
Operating Temperature	To	0 to +70	°C
Storage Temperature	Tstg	-40 to +85	°C

Recommended Operating Conditions

Rating	Symbol	Value	Units
Input Voltage	Vin	+6 to 13.2	Vdc

Electrical Characteristics

Unless otherwise noted Vin = 12.00 Volts dc and Ta = 25 °C

Characteristic	Symbol	Min	Typ	Max	Units
Input Current	Iin	-	0.310	0.375	Adc
Operating Frequency	Fo	39	44	49	KHz
Minimum Output Voltage	Vout (min)	1400	-	-	Vrms
Efficiency	η	-	81	-	%
Output Current	Iout	-	6.0	-	marms
Output Voltage (when Powering a load simulating the referenced display)	Vout	-	500	-	Vrms

After tube has been allowed to warm-up for 5 minutes

Specifications subject to change without notice

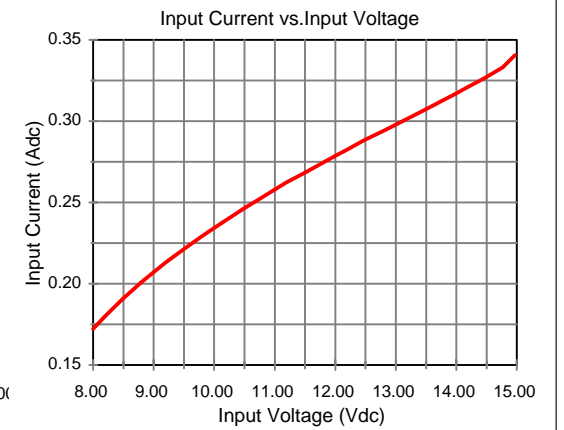
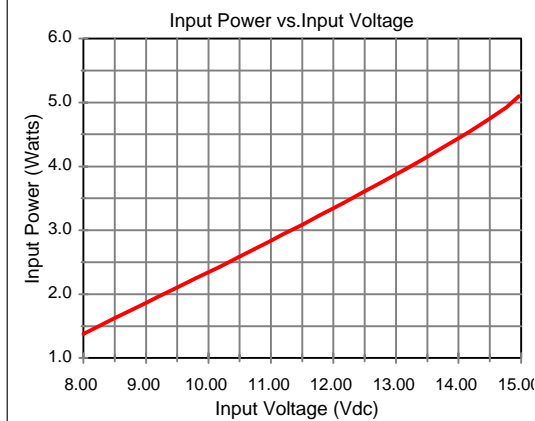
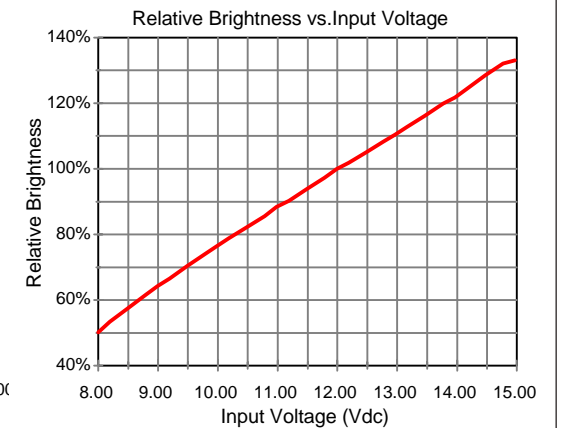
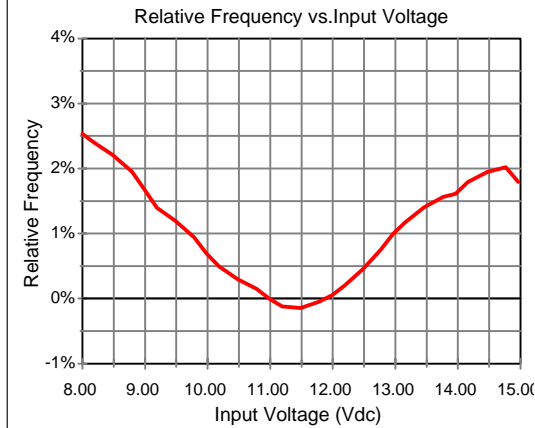
** Measured, not guaranteed.



Endicott Research Group, Inc.

Made in USA

Typical Performance Curves



Endicott Research Group, Inc.