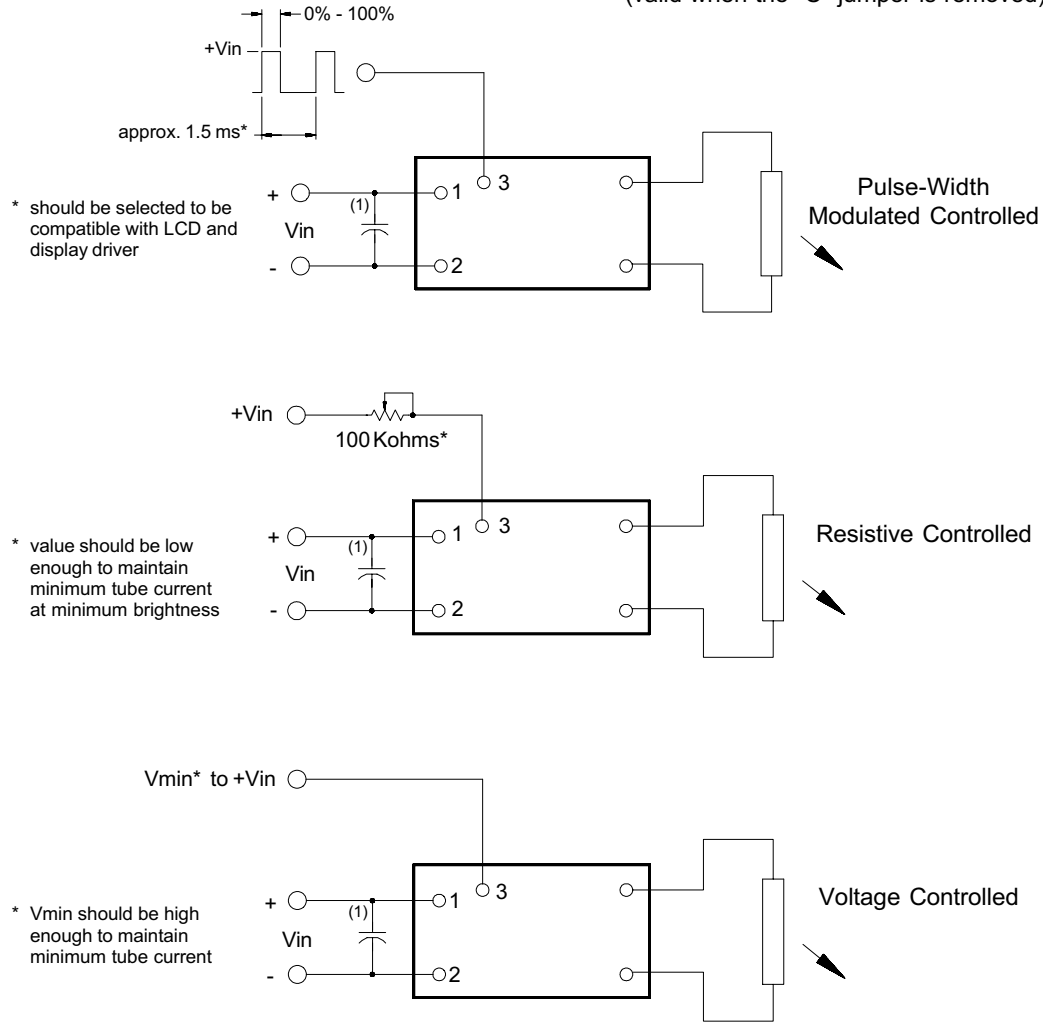


8M122246

3 Dimming Options  
(valid when the "C" jumper is removed)



\* should be selected to be compatible with LCD and display driver

\* value should be low enough to maintain minimum tube current at minimum brightness

\* Vmin should be high enough to maintain minimum tube current

Note 1 Input by-pass capacitor (25 uf - 100uf) may be required to reduce reflected ripple.



**Endicott Research Group, Inc.**  
 2601 Wayne St., Endicott NY 13760  
 607-754-9187



**Endicott Research Group, Inc.**

2601 Wayne St., Endicott NY 13760  
 607-754-9187 Fax 607-754-9255  
<http://www.ergpower.com>

Specifications and  
Applications Information

11/11/95

Preliminary

The ERG 8M122246 (8m Class) low profile dc to ac inverter is specifically designed to power the Hitachi SX19V001-Z1 LCD display module to a moderate brightness level from a +12 volt dc source.

This low profile inverter features:

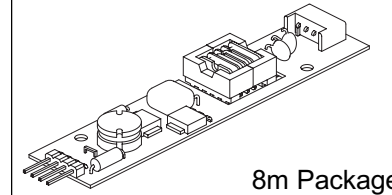
- ✓ Less Than 8 mm in Height
- ✓ LCD Module Specific
- ✓ Display Compatible Output Connector
- ✓ Firm Specifications
- ✓ Application Information
- ✓ Designed, Manufactured and Supported in the USA
- ✓ Custom Input and Output Voltages
- ✓ Flexible System Interface
- ✓ Notebook Display Head Compatible

Pin Descriptions

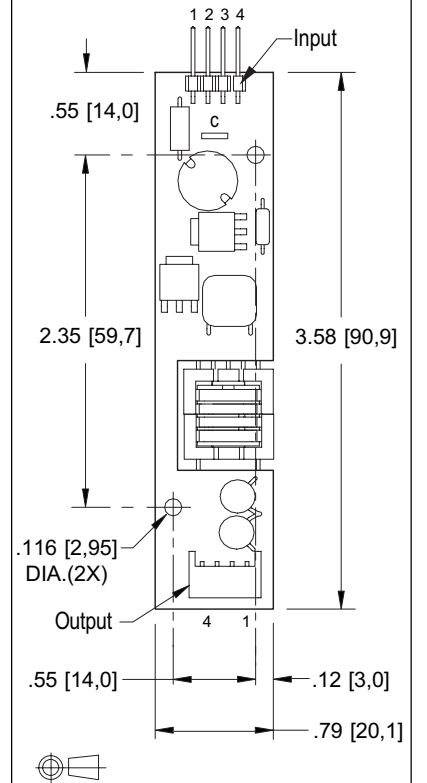
Input Connector	Output Connector
4 pins are 0.315" [8,00] Long, 0.025" [0,63] Square and are on 0.100" [2,54] Centers.	Mitsumi M60-04-30-134P
Con1-1 Vin(+) Con1-2 GND Con1-3 Control * Con1-4 NC	Con2-1 ACout Con2-2 NC Con2-3 NC Con2-4 ACout
* Valid when the "C" Jumper is removed	

8M122246

8m Class  
DC to AC Inverter



Package Configuration



# 8M122246

## Absolute Maximum Ratings

Rating	Symbol	Value	Units
Input Voltage Range	V <sub>in</sub>	-0.3 to +13.2	Vdc
Operating Temperature	T <sub>o</sub>	0 to +70	°C
Storage Temperature	T <sub>stg</sub>	-40 to +85	°C

## Recommended Operating Conditions

Rating	Symbol	Value	Units
Input Voltage	V <sub>in</sub>	+6 to 13.2	Vdc

## Electrical Characteristics

Unless otherwise noted V<sub>in</sub> = 12.00 Volts dc and T<sub>a</sub> = 25 °C

Characteristic	Symbol	Min	Typ	Max	Units
Input Current	I <sub>in</sub>	-	.160	.185	A <sub>dc</sub>
Operating Frequency	F <sub>o</sub>	34	38	42	KHz
Minimum Output Voltage	V <sub>out</sub> (min)	1400	-	-	V <sub>rms</sub>
Efficiency	η	-	69	-	%
Output Current	I <sub>out</sub>	-	3.1	-	ma <sub>rms</sub>
Output Voltage (when Powering a Load Simulating the characteristics of the referenced display)	V <sub>out</sub>	-	430	-	V <sub>rms</sub>

After tube has been allowed to warm-up for 5 minutes      Specifications subject to change without notice

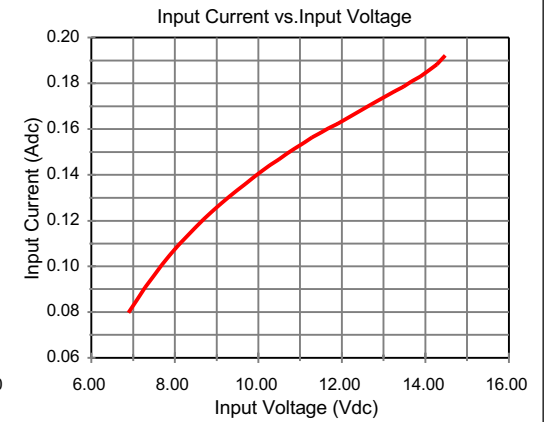
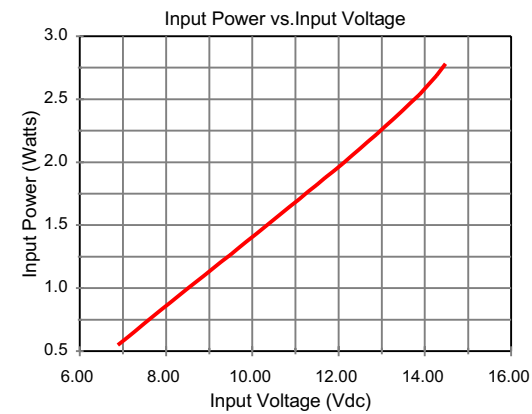
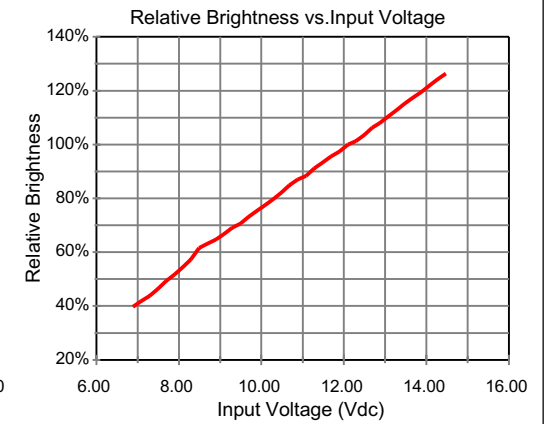
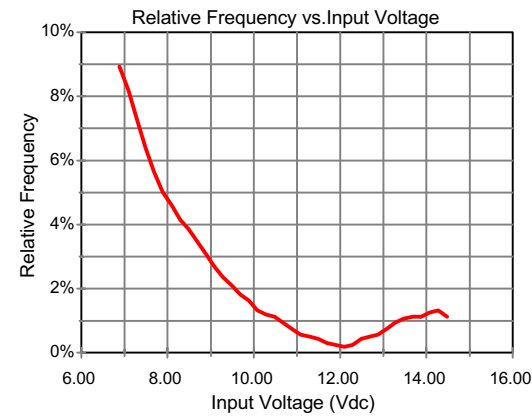


Endicott Research Group, Inc.

Made in USA

# 8M122246

## Typical Performance Curves



Endicott Research Group, Inc.