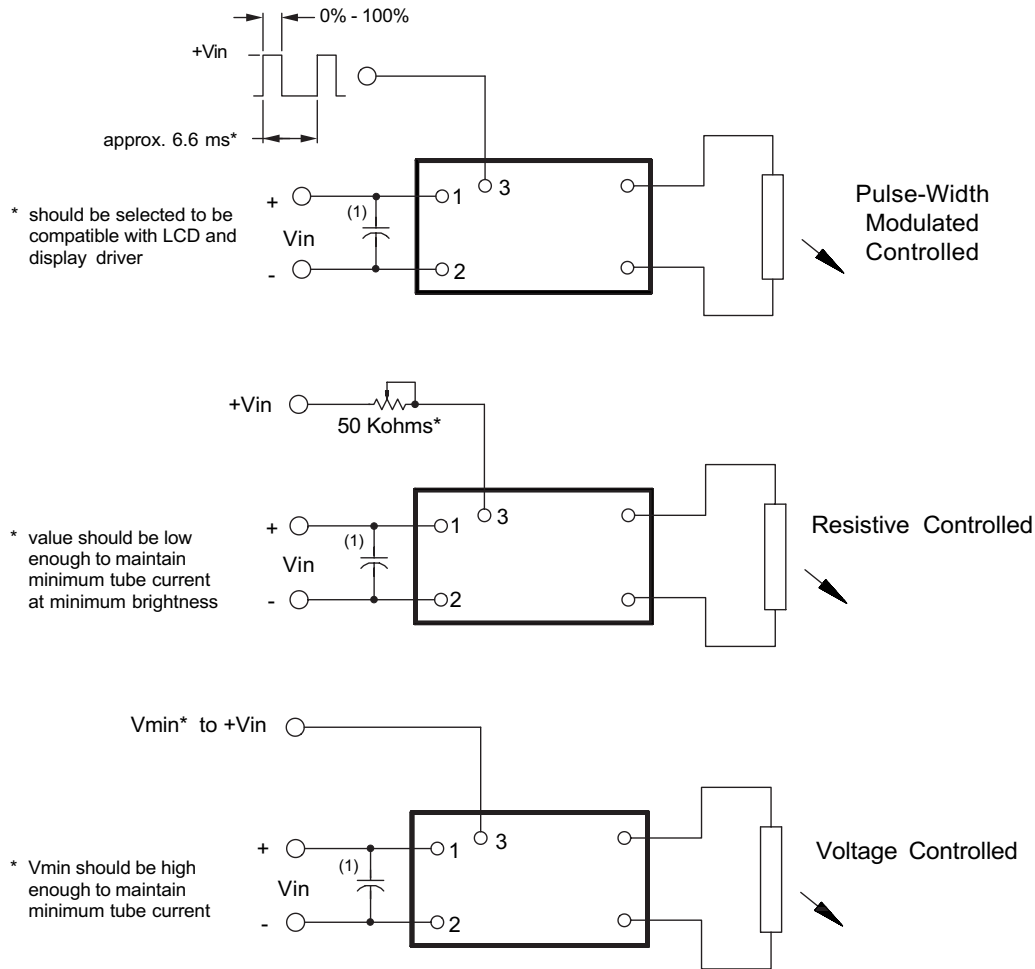


8m122218

3 Dimming Options (valid when the "C" jumper is removed)



Note 1 Input by-pass capacitor (25 uf - 100uf) may be required to reduce reflected ripple.



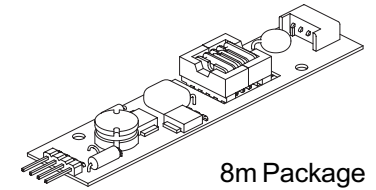
Endicott Research Group, Inc.
2601 Wayne St., Endicott NY 13760
607-754-9187



Endicott Research Group, Inc.
2601 Wayne St., Endicott NY 13760
607-754-9187 Fax 607-754-9255
<http://www.ergpower.com>

8m122218

8m Class DC to AC Inverter



Specifications and Applications Information

3/12/99

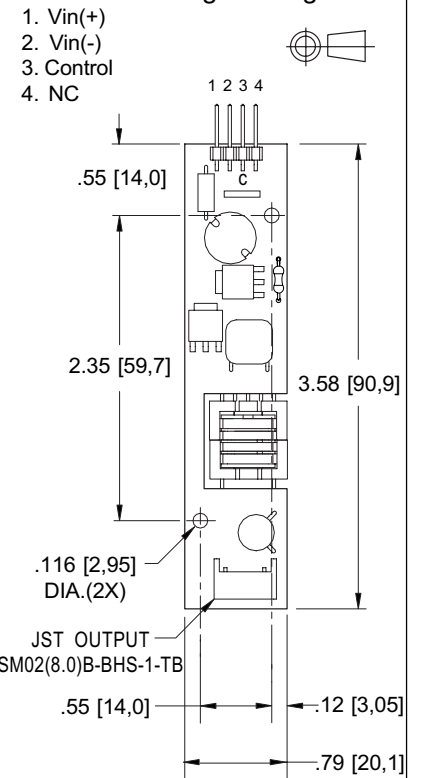
Preliminary

The ERG 8m122218 (8m Class) low profile dc to ac inverter is specifically designed to power a single tube of the Sharp LQ084V1DG21 LCD single tube display module to a moderate brightness level from a +12 volt dc source.

This low profile inverter features:

- ✓ Less Than 8 mm in Height
- ✓ LCD Module Specific
- ✓ Display Compatible Output Connector
- ✓ Firm Specifications
- ✓ Application Information
- ✓ Made in U.S.A.
- ✓ Factory Support
- ✓ Custom Input and Output Voltages
- ✓ Flexible System Interface
- ✓ Notebook Display Head Compatible

Package Configuration



Absolute Maximum Ratings

Rating	Symbol	Value	Units
Input Voltage Range	V_{in}	-0.3 to +13.2	Vdc
Operating Temperature	T_o	0 to +70	°C
Storage Temperature	T_{stg}	-40 to +85	°C

Recommended Operating Conditions

Rating	Symbol	Value	Units
Input Voltage	V_{in}	+6 to 13.2	Vdc

Electrical Characteristics

Unless otherwise noted $V_{in} = 12.00$ Volts dc and $T_a = 25$ °C

Characteristic	Symbol	Min	Typ	Max	Units
Input Current	I_{in}	-	0.45	0.51	Adc
Operating Frequency	F_o	34	39	44	KHz
Minimum Output Voltage	$V_{out} (min)$	1500	-	-	V_{rms}
Efficiency	η	-	76	-	%
Output Current	I_{out}	-	6.0	-	marms
Output Voltage (when Powering a Sharp LQ084V1DG21 display)	V_{out}	-	680	-	V_{rms}

After tube has been allowed to warm-up for 5 minutes

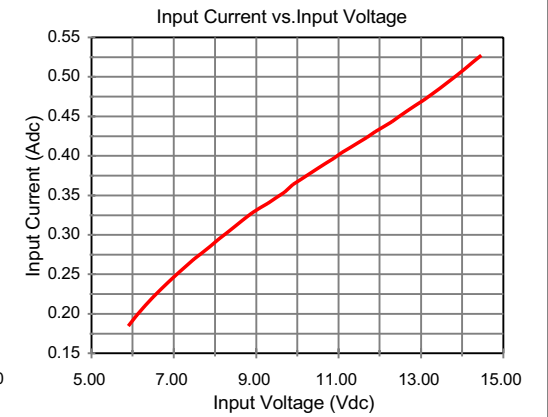
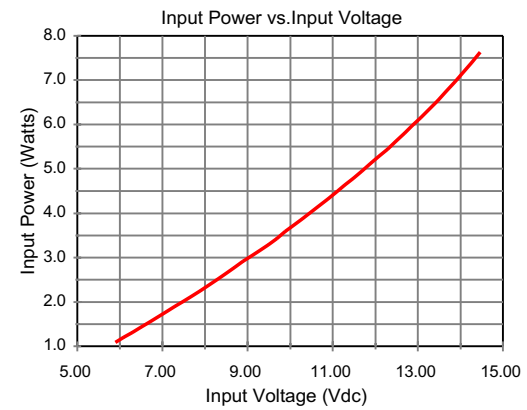
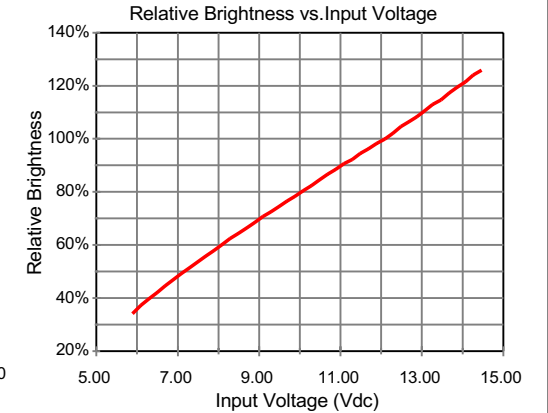
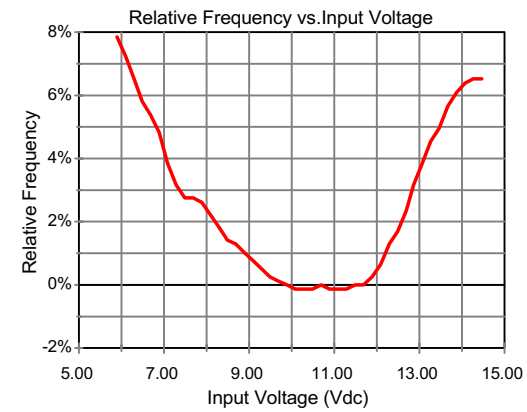
Specifications subject to change without notice



Endicott Research Group, Inc.

Made in USA

Typical Performance Curves



Endicott Research Group, Inc.