



Endicott Research Group, Inc.

2601 Wayne St., Endicott NY 13760

607-754-9187 Fax 607-754-9255

http://www.ergpower.com

8m121999

Specifications and Applications Information

5/21/97

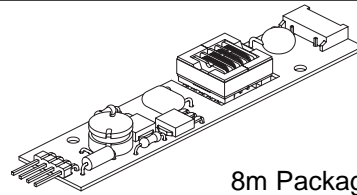
Preliminary

The ERG 8m121999 (*8m Class*) low profile dc to ac inverter is specifically designed to power the Display International DG24064-2, DG24128-1 LCD displays module to a moderate brightness level from a +12 volt dc source.

This low profile inverter features:

- ✓ Less Than 8 mm in Height
- ✓ LCD Module Specific
- ✓ Display Compatible Output Connector
- ✓ Firm Specifications
- ✓ Application Information
- ✓ Made in U.S.A.
- ✓ Factory Support
- ✓ Custom Input and Output Voltages
- ✓ Flexible System Interface
- ✓ Notebook Display Head Compatible

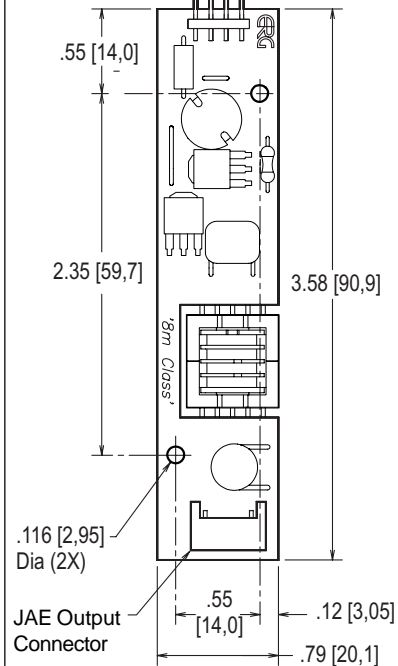
8m Class
DC to AC Inverter



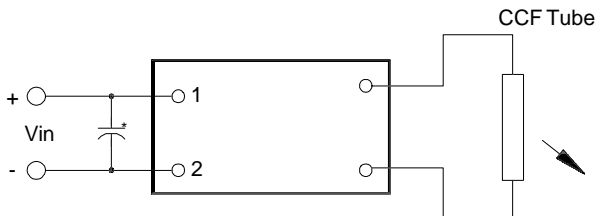
8m Package

Package Configuration

1. Vin(+)
2. Vin(-)
3. Control
4. NC



Typical Connection



* Input by-pass capacitor (25 uf - 100uf) may be required.

Electrical Characteristics (Nominal)

Input Current	.16 Adc
No Load Output Voltage (Min.)	1250 Vrms
Output Current	5.0 mArms
Tube Voltage	325 Vrms
$(V_{IN} = 12.0 \text{ Volts DC, } T_A = 25 \text{ }^\circ\text{C})$	