



**Endicott Research Group, Inc.**  
 2601 Wayne St., Endicott NY 13760  
 607-754-9187 Fax 607-754-9255

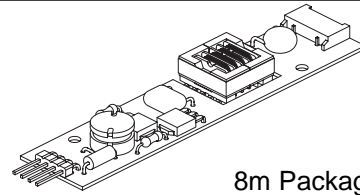
**8m121944**

## Specifications and Applications Information

01/21/97

Preliminary

*8m Class*  
**DC to AC Inverter**



**8m Package**

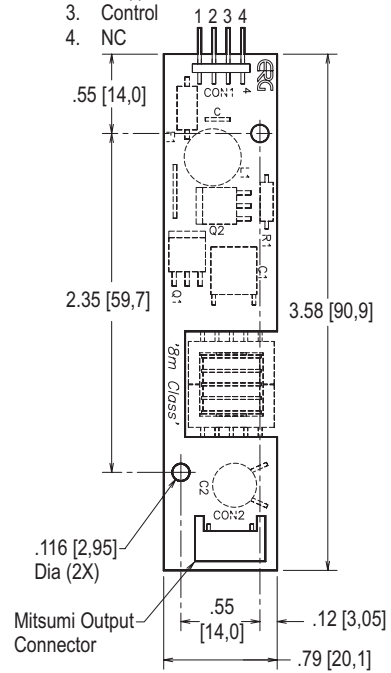
The ERG 8m121944 (*8m Class*) low profile dc to ac inverter is specifically designed to power the Hitachi LMG9520RPCC-A LCD display module to a moderate brightness level from a +12 volt dc source.

This low profile inverter features:

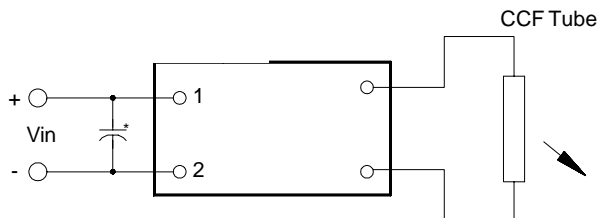
- ✓ Less Than 8 mm in Height
- ✓ LCD Module Specific
- ✓ Display Compatible Output Connector
- ✓ Firm Specifications
- ✓ Application Information
- ✓ Made in U.S.A.
- ✓ Factory Support
- ✓ Custom Input and Output Voltages
- ✓ Flexible System Interface
- ✓ Notebook Display Head Compatible

### Package Configuration

1. Vin(+)
2. Vin(-)
3. Control
4. NC



### Typical Connection



\* Input by-pass capacitor (25 uf - 100uf) may be required.

### Electrical Characteristics (Nominal)

Input Current	.16 Adc
No Load Output Voltage (Min.)	1000 Vrms
Output Current	5.0 mArms
Tube Voltage	325 Vrms
( $V_{IN} = 12.0$ Volts DC, $T_A = 25$ °C)	