



Endicott Research Group, Inc.

2601 Wayne St., Endicott, NY 13760
 607-754-9187 Fax 607-754-9255
<http://www.ergpower.com>

Specifications and Applications Information

05/01/04

Preliminary

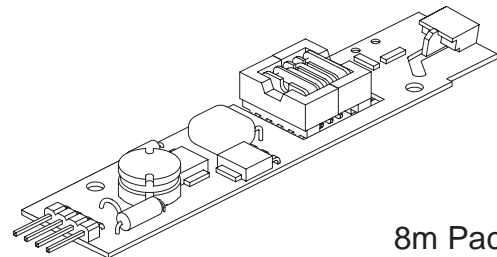
The ERG 8m052873 (8m Class) low profile dc to ac inverter is specifically designed to power the Toshiba LTM04C380K LCD display module to a moderate brightness level from a +5 volt dc source.

This low profile inverter features:

- ✓ Less Than 8 mm in Height
- ✓ LCD Module Specific
- ✓ Display Compatible Output Connector
- ✓ Firm Specifications
- ✓ Application Information
- ✓ Designed, Manufactured and Supported in the USA
- ✓ Custom Input and Output Voltages
- ✓ Flexible System Interface
- ✓ Notebook Display Head Compatible

8m052873

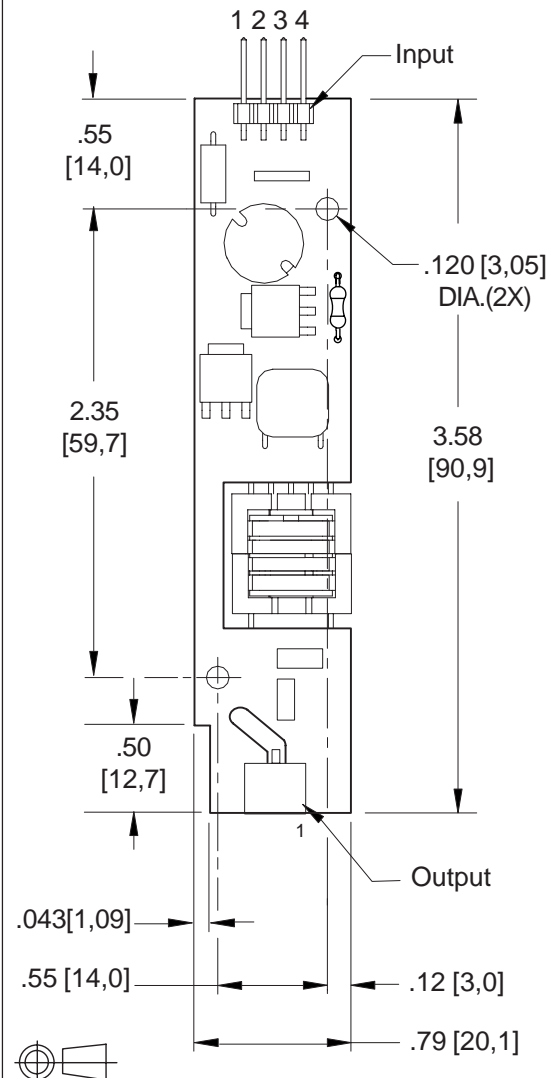
8m Class DC to AC Inverter



8m Package

PCB components are shown for reference only.
 Actual product may differ from that shown.

Package Configuration



PCB components are shown for reference only. Actual product may differ from that shown.

Connectors

Input Connector	Output Connector
4 pins are 0.315" [8,00] Long, 0.025" [0,63] Square and are on 0.100" [2,54] Centers.	JAE HV-2P-HF-E1400
J1-1 Vin(+) J1-2 GND J1-3 Control J1-4 N/C	J2-1 ACcommon J2-2 ACout

Absolute Maximum Ratings

Rating	Symbol	Value	Units
Input Voltage Range	V _{in}	-0.3 to +5.5	Vdc
Operating Temperature	T _o	-0 to +70	°C
Storage Temperature	T _{stg}	-40 to +85	°C

Recommended Operating Conditions

Rating	Symbol	Value	Units
Input Voltage	V _{in}	+4.50 to 5.25	Vdc

Electrical Characteristics

Unless otherwise noted V_{in} = 5.00 Volts dc and T_a = 25°C

Characteristic	Symbol	Min	Typ	Max	Units
Input Current ^(note 1)	I _{in}	-	.25	.29	Adc
Operating Frequency	F _o	27	32	37	KHz
Minimum Output Voltage	V _{out} (min)	1000	-	-	Vrms
Efficiency	-	-	78	-	%
Output Current (per tube)	I _{out}	-	3.0	-	marms
Output Voltage (When powering a load simulating the referenced display)	V _{out}	-	325	-	Vrms
Pin3 Input Current Requirement	-	-	5	-	madc

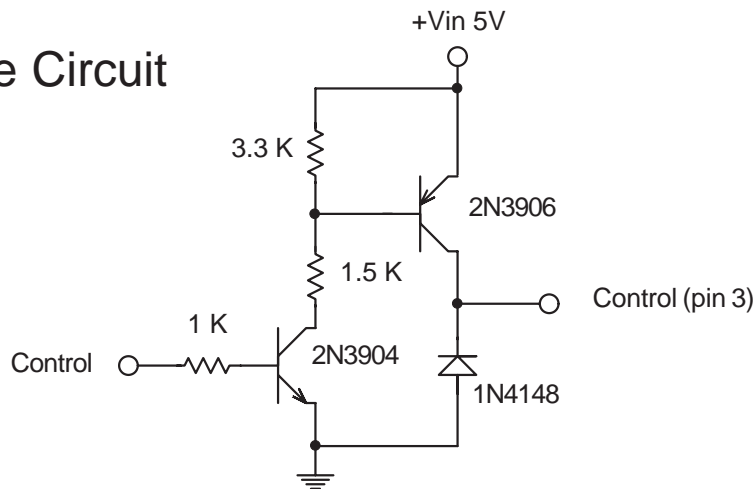
After tube has been allowed to warm-up for 5 minutes

Specifications subject to change without notice.

(Note 1) Input current in excess of maximum may indicate a load/inverter mismatch condition, which can result in reduced reliability. Please contact ERG technical support.

Input voltage specification modified for clarity on 5/2004.

Disable Circuit



Endicott Research Group, Inc.

2601 Wayne St., Endicott, NY 13760

607-754-9187 Fax 607-754-9255

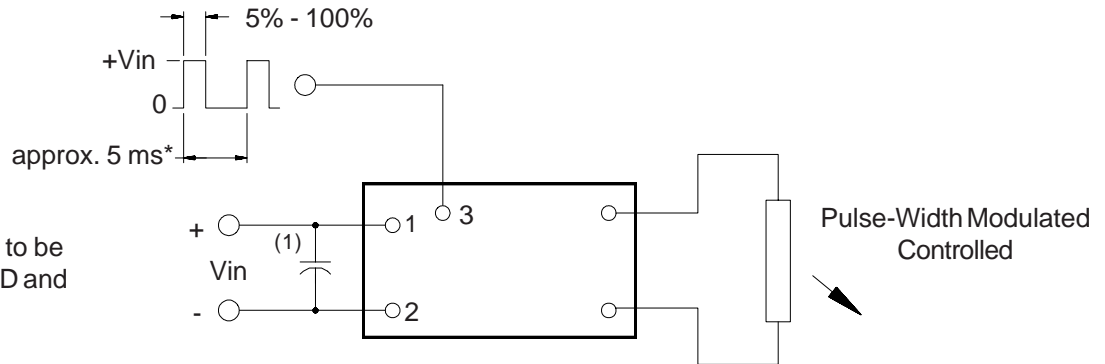
<http://www.ergpower.com>

Made in USA

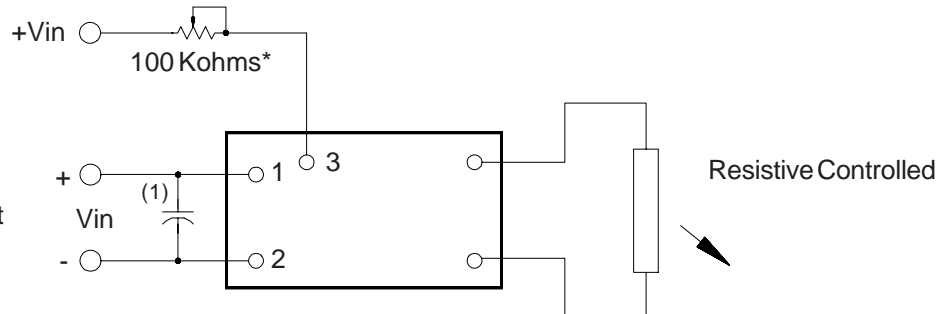


3 Dimming Options

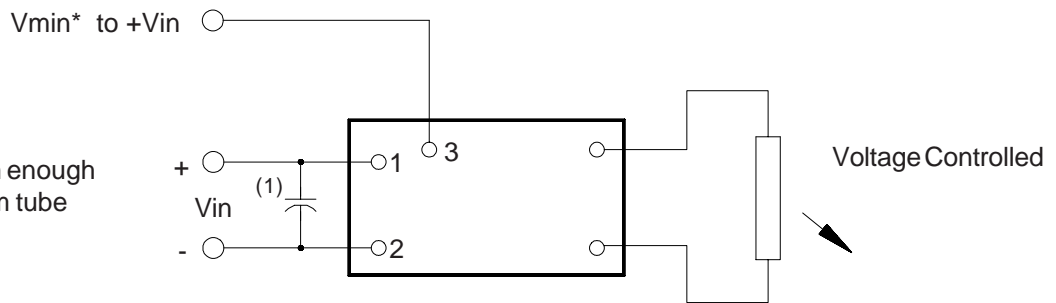
8m052873



* should be selected to be compatible with LCD and display driver



* value should be low enough to maintain minimum tube current at minimum brightness



* Vmin should be high enough to maintain minimum tube current

Note 1 Input by-pass capacitor (25 uf - 100uf) may be required to reduce reflected ripple.



Endicott Research Group, Inc. (ERG) reserves the right to make changes in circuit design and/or specifications at any time without notice. Accordingly, the reader is cautioned to verify that data sheets are current before placing orders. Information furnished by ERG is believed to be accurate and reliable. However, no responsibility is assumed by ERG for its use.