



Endicott Research Group, Inc.

2601 Wayne St., Endicott, NY 13760

607-754-9187 Fax 607-754-9255

http://www.ergpower.com

8m052786

## Specifications and Applications Information

02/25/10

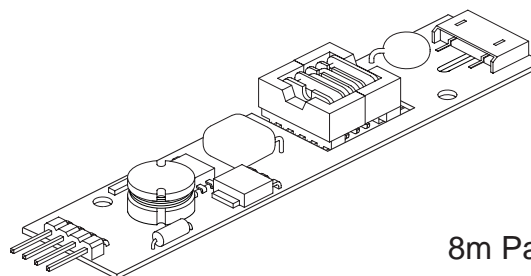
Preliminary

**8m Class**  
Single Lamp  
DC to AC Inverter

The ERG 8m052786 (*8m Class*) low profile dc to ac inverter is specifically designed to power the Sharp LQ038Q5DR01 LCD display module to a moderate brightness level from a +5 volt dc source.

This low profile inverter features:

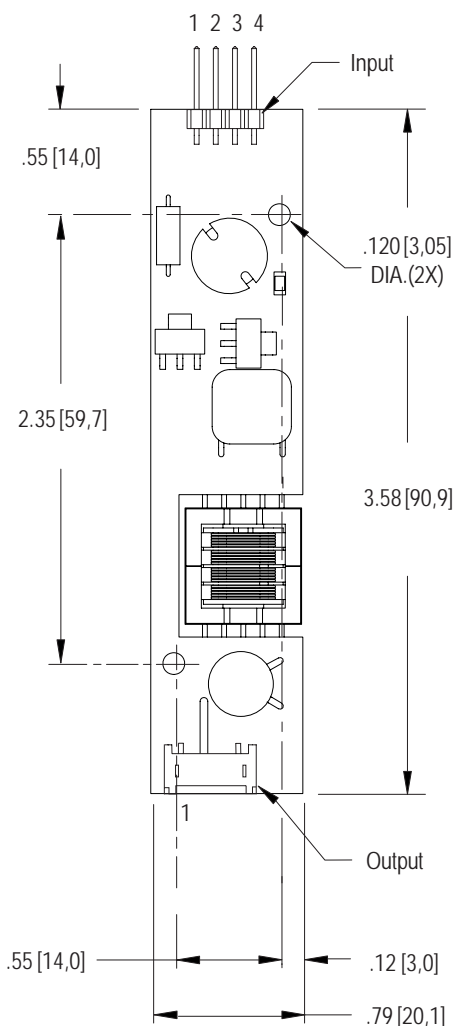
- ✓ Less Than 8 mm in Height
- ✓ LCD Module Specific
- ✓ Display Compatible Output Connector
- ✓ Firm Specifications
- ✓ Application Information
- ✓ Designed, Manufactured and Supported in the USA
- ✓ Custom Input and Output Voltages
- ✓ Flexible System Interface
- ✓ Notebook Display Head Compatible



8m Package

PCB components are shown for reference only.  
Actual product may differ from that shown.

### Package Configuration



PCB components are shown for reference only. Actual product may differ from that shown.

### Connectors

#### Input Connector

4 pins are 0.315" [8,00] Long,  
0.025" [0,63] Square and are on  
0.100" [2,54] Centers.

J1-1 +Vin  
J1-2 GND  
J1-3 Enable  
J1-4 N/C

#### Output Connector

JST  
SM02(8.0)B-BHS-1-TB

J2-1 ACreturn  
J2-2 ACout

## Absolute Maximum Ratings

| Rating              | Symbol    | Value        | Units |
|---------------------|-----------|--------------|-------|
| Input Voltage Range | $V_{in}$  | -0.3 to +5.5 | Vdc   |
| Storage Temperature | $T_{stg}$ | -40 to +85   | °C    |

## Operating Characteristics

With a load simulating the referenced display and lamp warm-up of 5 minutes.  
Unless otherwise noted  $V_{in} = 5.00$  Volts dc and  $T_a = 25^{\circ}\text{C}$

| Characteristic   | Symbol          | Min   | Typ   | Max   | Units |
|--|-----------------|-------|-------|-------|-------|
| Input Voltage  | $V_{in}$        | +4.50 | +5.00 | +5.25 | Vdc   |
| Component Surface Temperature <sup>(note 1)</sup>        | $T_s$           | -20   | -     | +80   | °C    |
| Input Current <sup>(note 2)</sup>                        | $I_{in}$        | -     | 0.78  | 0.90  | Adc   |
| Operating Frequency                                      | $F_o$           | 32    | 37    | 42    | kHz   |
| Minimum Output Voltage <sup>(note 3)</sup>               | $V_{out}$ (min) | 1500  | -     | -     | Vrms  |
| Efficiency   | $\eta$          | -     | 75    | -     | %     |
| Output Current (per lamp)                                | $I_{out}$       | -     | 5.5   | -     | mArms |
| Output Voltage   | $V_{out}$       | -     | 530   | -     | Vrms  |
| Enable Pin Input Current Requirement <sup>(note 4)</sup> | $I_{enable}$    | -     | 19    | -     | mAdc  |

Specifications subject to change without notice.

(Note 1) Surface temperature must not exceed 80 degrees C; thermal management actions may be required.

(Note 2) Input current in excess of maximum may indicate a load/inverter mismatch condition, which can result in reduced reliability. Please contact ERG technical support.

(Note 3) Provided data is not tested but guaranteed by design.

(Note 4) Required User Enable/Disable Interface Circuit is shown on page 3.

### Application Notes:

- 1) The minimum distance from high voltage areas of the inverter to any conductive material should be .12 inches per kilovolt of starting voltage.
- 2) Mounting hardware to be non-conductive.
- 3) Open framed inverters should not be used in applications at altitudes over 10,000 feet.
- 4) ACreturn should be left floating, not grounded.
- 5) Contact ERG for possible exceptions.



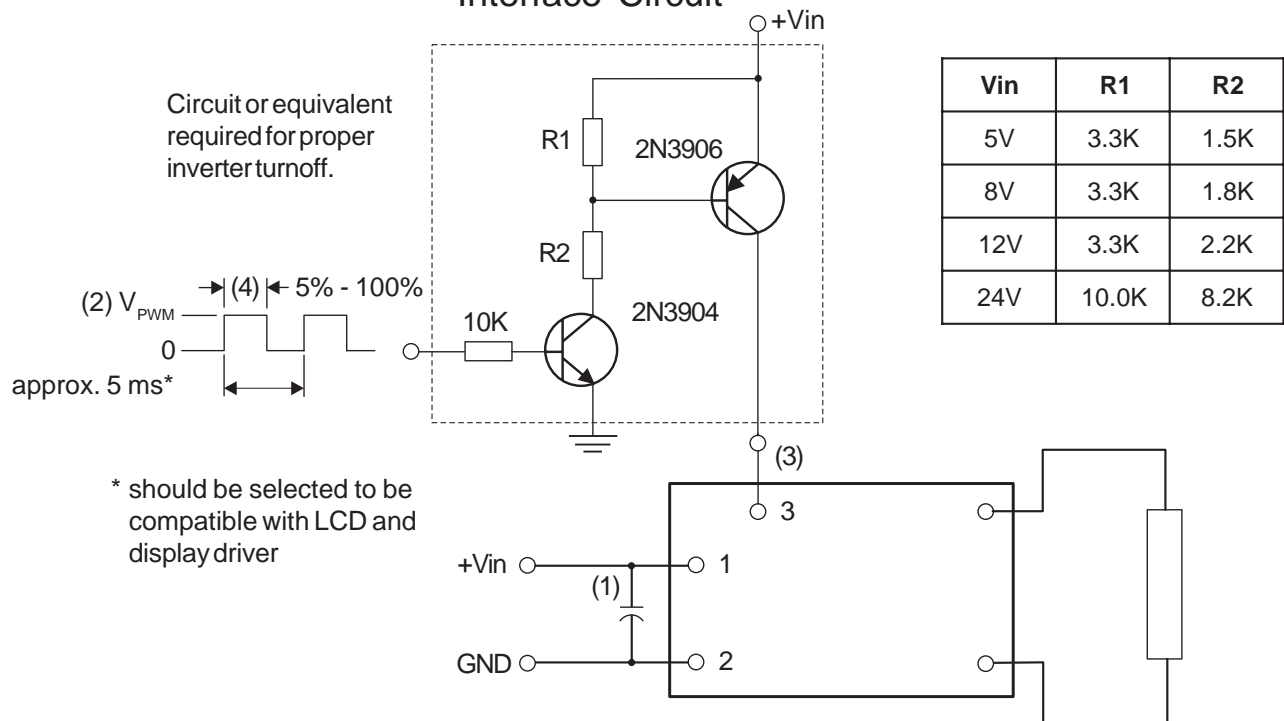
Endicott Research Group, Inc.

2601 Wayne St., Endicott, NY 13760  
607-754-9187 Fax 607-754-9255  
<http://www.ergpower.com>

Made in USA

# PWM Dimming

## Required User Enable/Disable Interface Circuit



- (1) Low ESR type input by-pass capacitor (22 uF - 100 uF) may be required to reduce reflected ripple.
- (2)  $V_{PWM}$  from 2.4V to less than or equal to +Vin.
- (3) Full brightness without PWM control requires that pin 3 be tied to +Vin. Pin 3 must be at 0V to turn off.
- (4) Duty Cycle 5% - 100%.



Endicott Research Group, Inc. (ERG) reserves the right to make changes in circuit design and/or specifications at any time without notice. Accordingly, the reader is cautioned to verify that data sheets are current before placing orders. Information furnished by ERG is believed to be accurate and reliable. However, no responsibility is assumed by ERG for its use.