



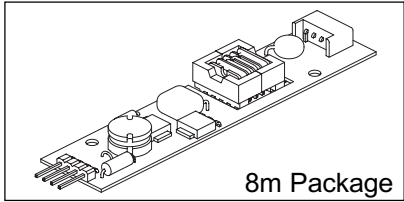
**Endicott Research Group, Inc.**

2601 Wayne St., Endicott NY 13760  
 607-754-9187 Fax 607-754-9255  
<http://www.ergpower.com>

**8m052402**

**Specifications and Applications Information**  
 08/23/00 Preliminary

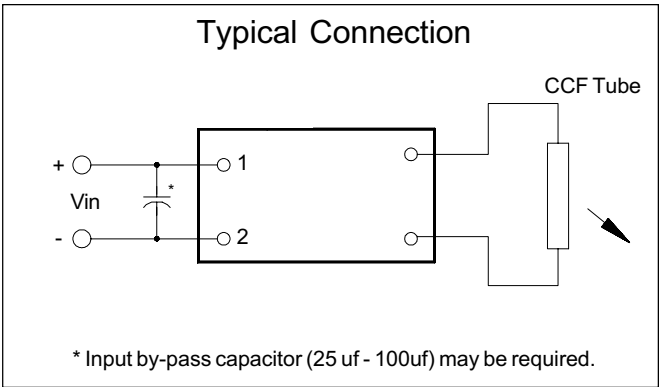
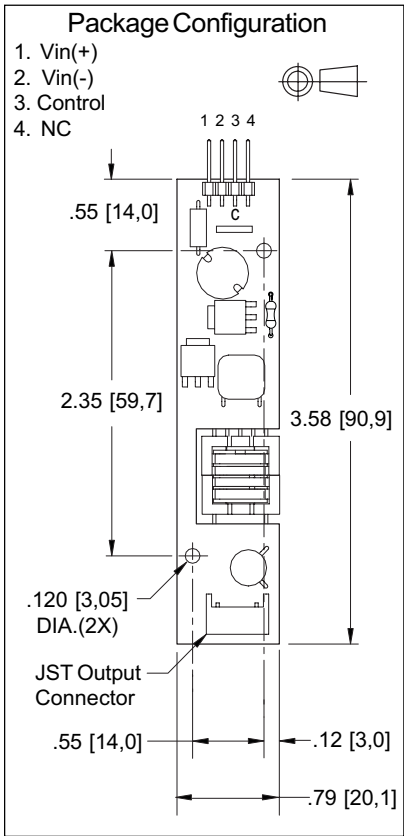
*8m Class*  
**DC to AC Inverter**



The ERG 8m052402 (*8m Class*) low profile dc to ac inverter is specifically designed to power the Samsung LT121SS-105 LCD display module to a moderate brightness level from a +5 volt dc source.

This low profile inverter features:

- ✓ Less Than 8 mm in Height
- ✓ LCD Module Specific
- ✓ Display Compatible Output Connector
- ✓ Firm Specifications
- ✓ Application Information
- ✓ Designed, Manufactured and Supported in the USA
- ✓ Custom Input and Output Voltages
- ✓ Flexible System Interface
- ✓ Notebook Display Head Compatible



Electrical Characteristics (Nominal)	
Input Current	.62 Adc
No Load Output Voltage (Min.)	1400 Vrms
Output Current	3.5 mArms
Tube Voltage	680 Vrms
(V <sub>IN</sub> = 5.0 Volts DC, T <sub>A</sub> = 25 °C)	