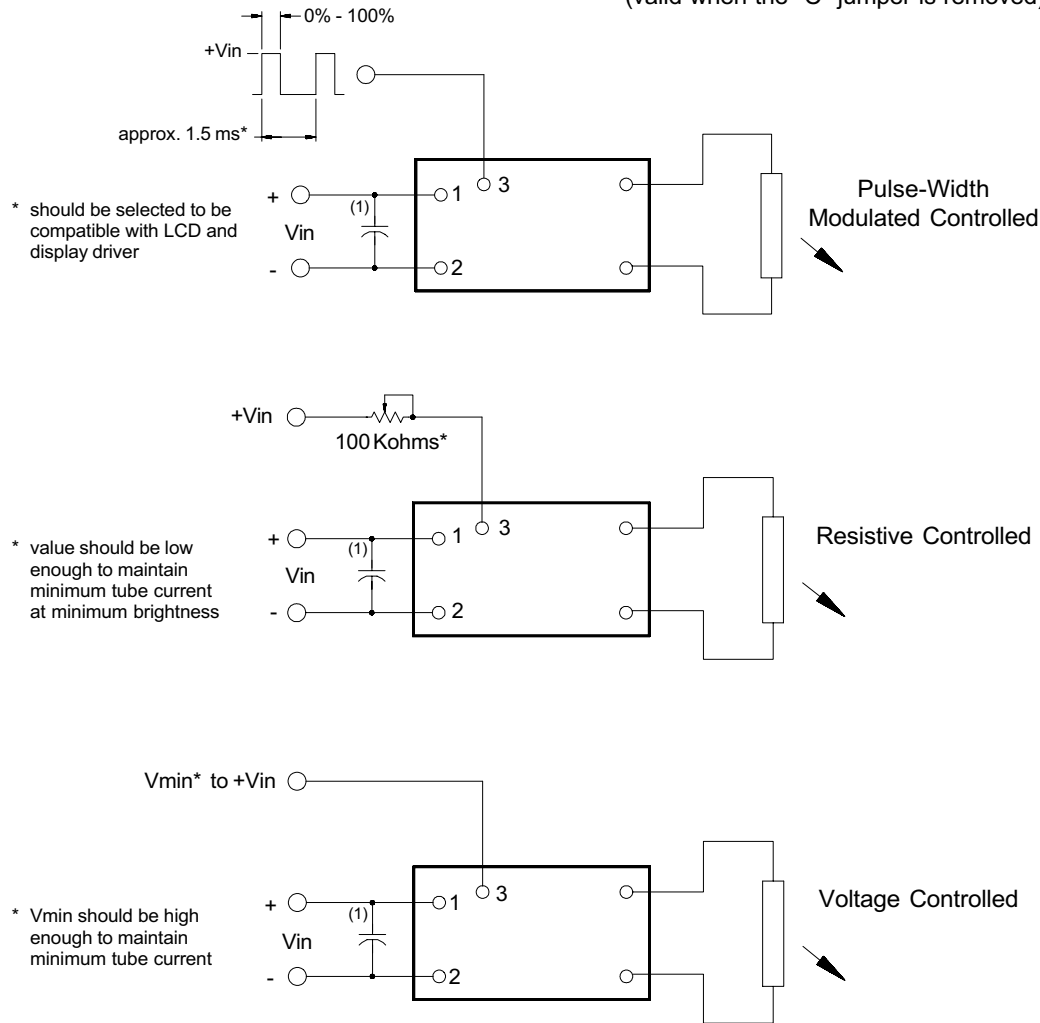


8M052285

3 Dimming Options
(valid when the "C" jumper is removed)



* should be selected to be compatible with LCD and display driver

* value should be low enough to maintain minimum tube current at minimum brightness

* Vmin should be high enough to maintain minimum tube current

Note 1 Input by-pass capacitor (25 uf - 100uf) may be required to reduce reflected ripple.



Endicott Research Group, Inc.

2601 Wayne St., Endicott NY 13760

607-754-9187



Endicott Research Group, Inc.

2601 Wayne St., Endicott NY 13760

607-754-9187 Fax 607-754-9255

<http://www.ergpower.com>

Specifications and Applications Information

7/8/99

Preliminary

The ERG 8M052285 (8m Class) low profile dc to ac inverter is specifically designed to power the Hitachi SX19V001-Z4A LCD display module to a moderate brightness level from a +5 volt dc source.

This low profile inverter features:

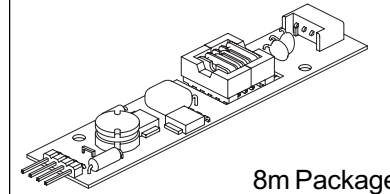
- ✓ Less Than 8 mm in Height
- ✓ LCD Module Specific
- ✓ Display Compatible Output Connector
- ✓ Firm Specifications
- ✓ Application Information
- ✓ Designed, Manufactured and Supported in the USA
- ✓ Custom Input and Output Voltages
- ✓ Flexible System Interface
- ✓ Notebook Display Head Compatible

Pin Descriptions

Input Connector	Output Connector
4 pins are 0.315" [8,00] Long, 0.025" [0,63] Square and are on 0.100" [2,54] Centers.	Mitsumi M60-04-30-134P
Con1-1 Vin(+) Con1-2 GND Con1-3 Control * Con1-4 NC	Con2-1 ACout Con2-2 NC Con2-3 NC Con2-4 ACout
* Valid when the "C" Jumper is removed	

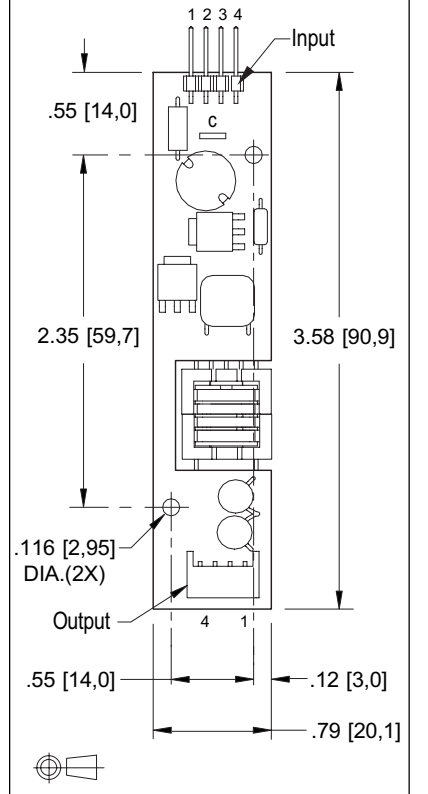
8M052285

8m Class
DC to AC Inverter



8m Package

Package Configuration



Absolute Maximum Ratings

Rating	Symbol	Value	Units
Input Voltage Range	V _{in}	-0.3 to +6	Vdc
Operating Temperature	T _o	0 to +70	°C
Storage Temperature	T _{stg}	-40 to +85	°C

Recommended Operating Conditions

Rating	Symbol	Value	Units
Input Voltage	V _{in}	+2.5 to 5.5	Vdc

Electrical Characteristics

Unless otherwise noted V_{in} = 5.00 Volts dc and T_a = 25 °C

Characteristic	Symbol	Min	Typ	Max	Units
Input Current	I _{in}	-	.28	.33	Adc
Operating Frequency	F _o	24	28	32	KHz
Minimum Output Voltage	V _{out} (min)	1400	-	-	Vrms
Efficiency	η	-	71	-	%
Output Current	I _{out}	-	1.9	-	marms
Output Voltage (See below)	V _{out}	-	520	-	Vrms

Specifications obtained using a 277 KΩ resistor.
This load is approximately equivalent to the referred display.

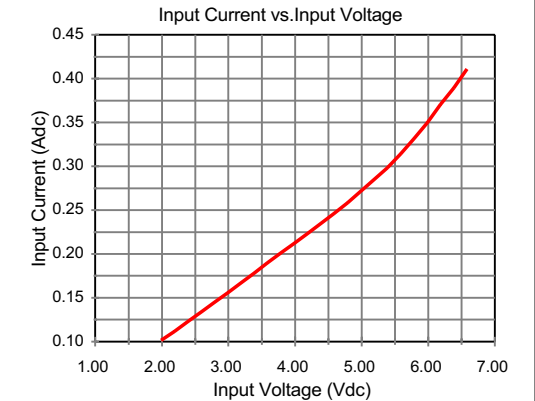
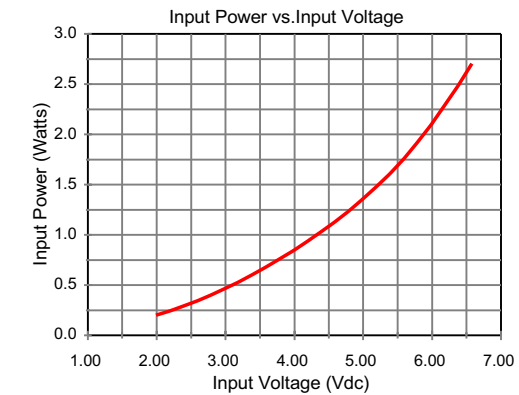
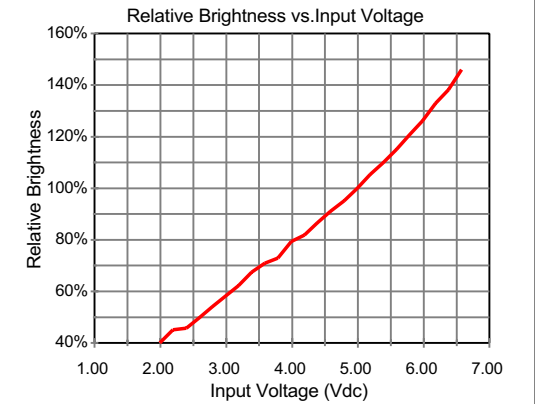
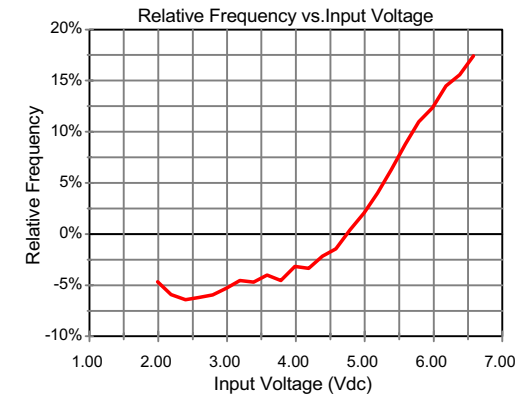
Specifications subject to change without notice.



Endicott Research Group, Inc.

Made in USA

Typical Performance Curves



Endicott Research Group, Inc.